

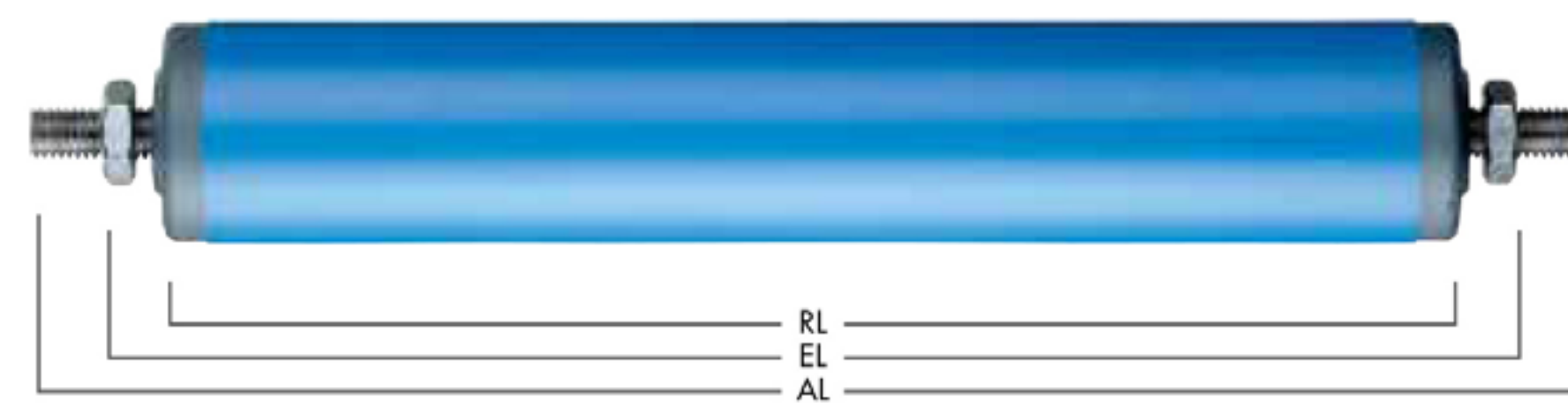
# ROLLERS FOR IMMEDIATE DELIVERY

## Blue plastic cylinder conveyor rollers

Axle types	
∅	
mm	
10	A10
12	A12
-	-
-	-
-	-
-	-
Stepped axle with external thread	
-	-
-	-
-	-
-	-
-	-
Internal thread	
-	-
-	-
-	-
-	-
-	-
-	-
Flat axle end	
-	-
-	-
-	-
-	-
-	-
Spanner flat	
-	-
-	-
-	-
-	-
-	-
Spring axle	
6	F6
8	F8
10	F10
-	-
-	-
-	-



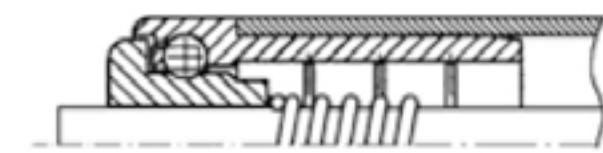
RL = Roller length  
EL = Fitting length  
AL = Axle length



External cylinder ∅	Roller length	Fitting length	Axle length	Axle type	kg
mm					

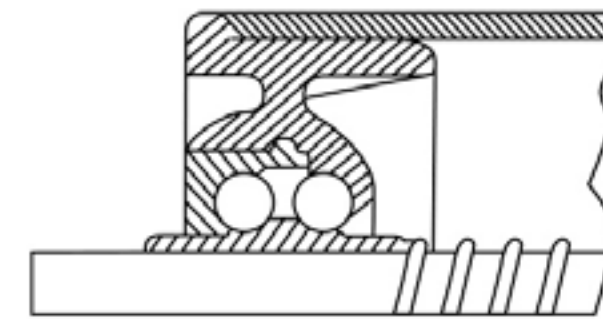
### Plastic bearing with one row of steel balls

20x1,5	200	205	221	F 6	10	S20-F6-205-221
20x1,5	300	305	321	F 6	7	S20-F6-305-321
20x1,5	400	405	421	F 6	2	S20-F6-405-421
30x1,8	200	205	225	F 8	10	S30-F8-205-225
30x1,8	300	305	325	F 8	8	S30-F8-305-325
30x1,8	400	405	425	F 8	6	S30-F8-405-425
40x2,3	200	205	225	F 10	10	S40-F10-205-225
40x2,3	300	305	325	F 10	9	S40-F10-305-325
40x2,3	400	405	425	F 10	8	S40-F10-405-425
40x2,3	500	505	525	F 10	7	S40-F10-505-525



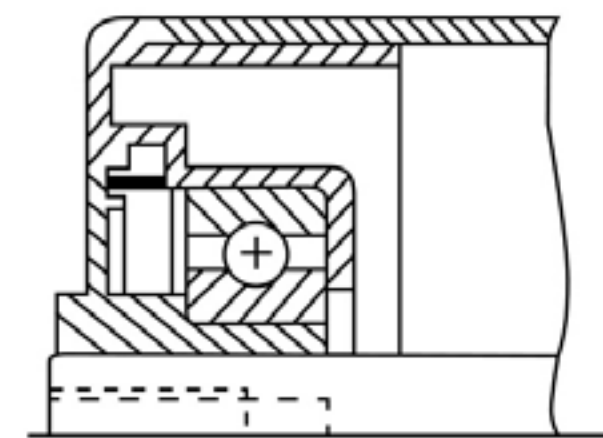
### Plastic bearing with two rows of steel balls

50x2,8	200	207	227	F 10	20	S50-F10-207-227
50x2,8	300	307	327	F 10	20	S50-F10-307-327
50x2,8	400	407	427	F 10	20	S50-F10-407-427
50x2,8	500	507	527	F 10	20	S50-F10-507-527
50x2,8	600	607	627	F 10	20	S50-F10-607-627



### Plastic bearing with grooved ball bearing and heat seal

50x2,8	200	206	226	F 10	100	S51-F10-206-226
50x2,8	300	306	326	F 10	50	S51-F10-306-326
50x2,8	400	406	426	F 10	30	S51-F10-406-426
50x2,8	500	506	526	F 10	20	S51-F10-506-526
50x2,8	600	606	626	F 10	10	S51-F10-606-626
50x2,8	200	217	247	A 10	100	S51-A10-217-247
50x2,8	300	317	347	A 10	50	S51-A10-317-347
50x2,8	400	417	447	A 10	30	S51-A10-417-447
50x2,8	500	517	547	A 10	20	S51-A10-517-547
50x2,8	600	617	647	A 10	10	S51-A10-617-647
63x3	200	219	249	A 12	140	S63-A12-219-249
63x3	300	319	349	A 12	80	S63-A12-319-349
63x3	400	419	449	A 12	50	S63-A12-419-449
63x3	500	519	549	A 12	30	S63-A12-519-549
63x3	600	619	649	A 12	20	S63-A12-619-649



\* The stated load capacities are meant to be the surface load for assembling into not powered conveyors.

# ROLLERS FOR IMMEDIATE DELIVERY

## Blank steel cylinder conveyor rollers

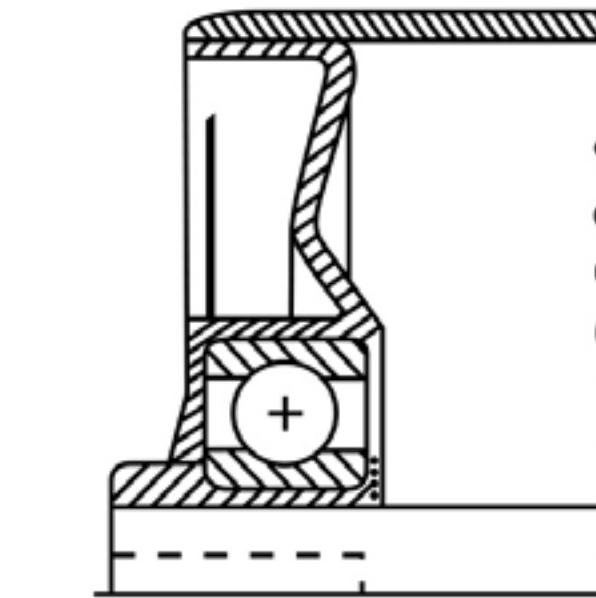


RL = Roller length  
EL = Fitting length  
AL = Axle length

External cylinder ∅	Roller length	Fitting length	Axle length	Axle type	kg
mm					

### Sheet steel bearing liner, galvanised with grooved ball bearing

50x1,5	200	210	230	F 10	150	S55-F10-210-230
50x1,5	300	310	330	F 10	130	S55-F10-310-330
50x1,5	400	410	430	F 10	80	S55-F10-410-430
50x1,5	500	510	530	F 10	70	S55-F10-510-530
50x1,5	600	610	630	F 10	40	S55-F10-610-630
50x1,5	200	220	250	A 10	240	S55-A10-220-250
50x1,5	300	320	350	A 10	240	S55-A10-320-350
50x1,5	400	420	450	A 10	240	S55-A10-420-450
50x1,5	500	520	550	A 10	200	S55-A10-520-550
50x1,5	600	620	650	A 10	130	S55-A10-620-650
60x1,5	200	222	252	A 12	240	S60-A12-222-252
60x1,5	300	322	352	A 12	240	S60-A12-322-352
60x1,5	400	422	452	A 12	240	S60-A12-422-452
60x1,5	500	522	552	A 12	240	S60-A12-522-552
60x1,5	600	622	652	A 12	240	S60-A12-622-652
80x2	200	222	252	A 12	240	S80-A12-222-252
80x2	300	322	352	A 12	240	S80-A12-322-352
80x2	400	422	452	A 12	240	S80-A12-422-452
80x2	500	522	552	A 12	240	S80-A12-522-552
80x2	600	622	652	A 12	240	S80-A12-622-652



Axle types	
∅	
mm	
10	A10
12	A12
-	-
-	-
-	-
-	-
Stepped axle with external thread	
-	-
-	-
-	-
-	-
-	-
Internal thread	
-	-
-	-
-	-
-	-
-	-
Flat axle end	
-	-
-	-
-	-
-	-
-	-
Spanner flat	
-	-
-	-
-	-
-	-
-	-
Spring axle	
10	F10
-	-
-	-
-	-
-	-

\* The stated load capacities are meant to be the surface load for assembling into not powered conveyors.



# Blue plastic cylinder conveyor rollers

Axle types	
∅	
mm	
6	A6
8	A8
10	A10
12	A12
14	A14
-	-

Stepped axle with external thread	
-	-
-	-
-	-
-	-
-	-

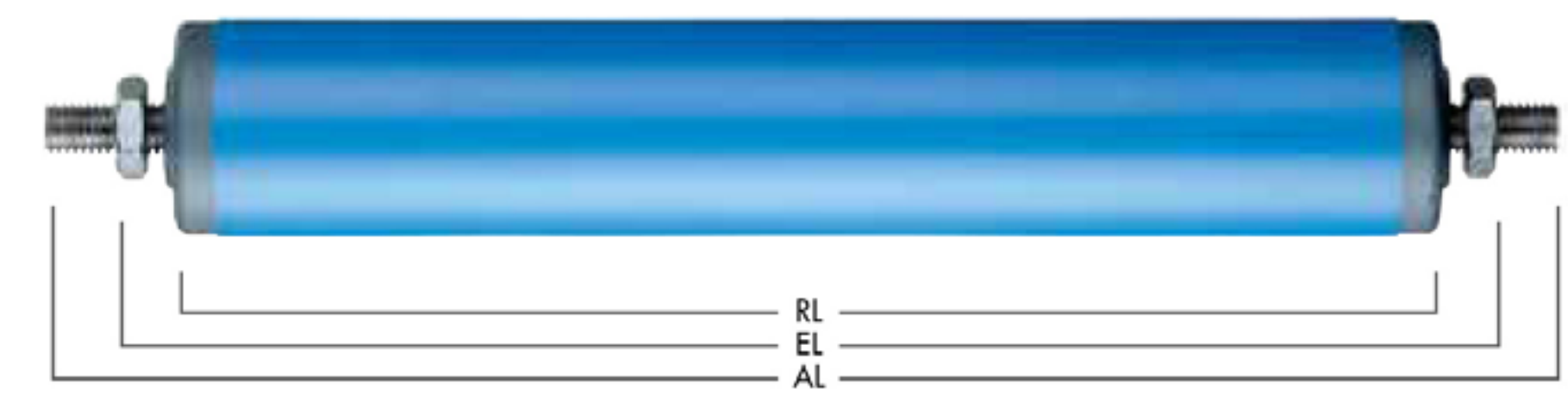
Internal thread	
-	-
10	C10
12	C12
14	C14
-	-

Flat axle end	
6	D6
8	D8
10	D10
12	D12
14	D14
-	-

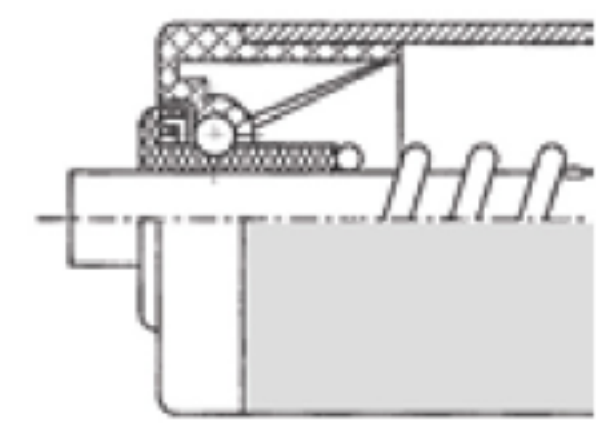
Spanner flat	
-	-
10	E10
12	E12
14	E14
-	-

Spring axle	
6	F6
8	F8
10	F10
12	F12
-	-
-	-

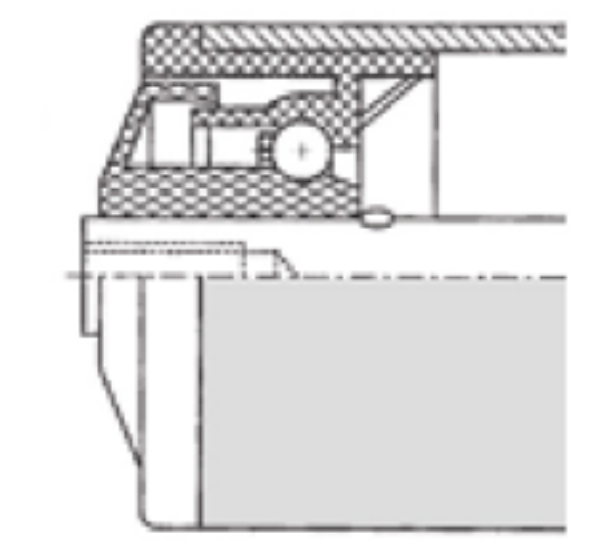
RL = Roller length  
EL = Fitting length  
AL = Axle length



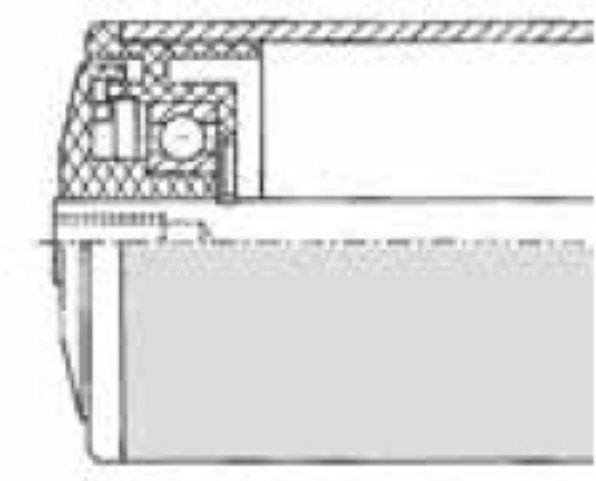
**Conveyor roller bearing**  
Plastic bearing liner, grey with single row ball bearing  
**Payload**  
max. 5 kg/bearing at ∅ 20 mm  
**Payload**  
max. 7 kg/bearing at ∅ 30 and 40 mm



**Conveyor roller bearing**  
Plastic bearing liner, blue with dual row ball bearing  
**Payload**  
max. 10 kg/bearing

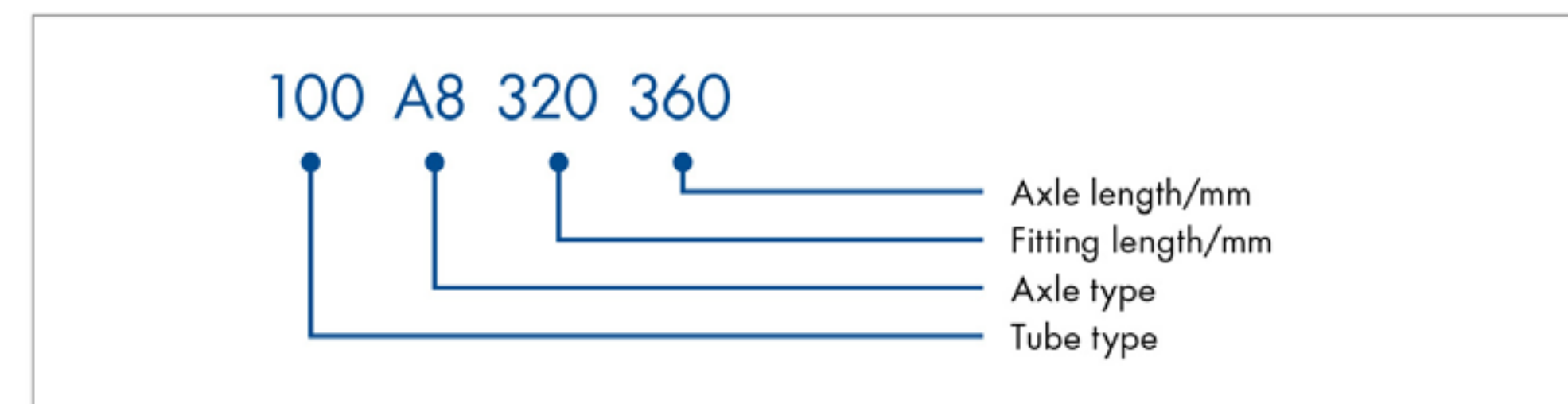


**Conveyor roller bearing**  
Plastic bearing liner, blue with heat seal and ball bearing  
**Payload**  
80 kg/bearing



External cylinder ∅ mm	
20x1,5	100
30x1,8	110
40x2,3	120
50x2,8	130
50x2,8	140
63x3,0	150

Article numbering system for orders



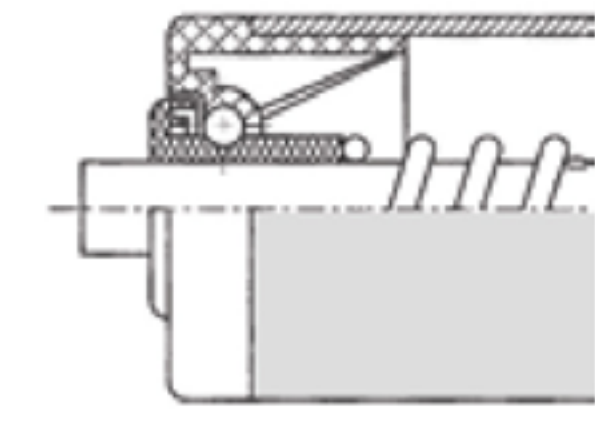
# Blank steel cylinder conveyor rollers



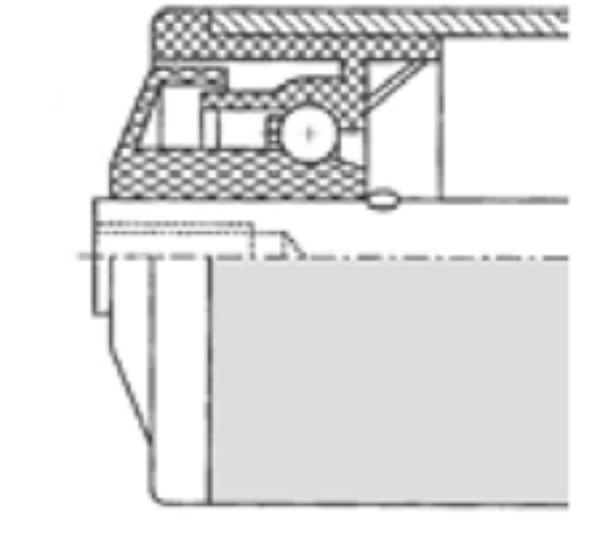
RL = Roller length  
EL = Fitting length  
AL = Axle length

External cylinder ∅ mm	
20x1,5	101
30x1,0	111
40x1,5	121
50x1,5	131
40x1,5	141
50x1,5	151
50x2,0	161
60x2,0	171

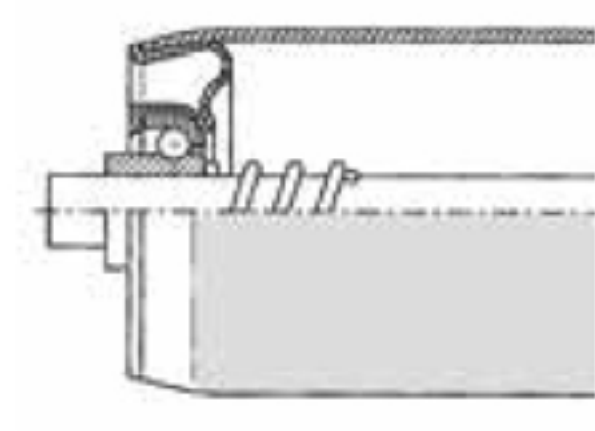
**Conveyor roller bearing**  
Plastic bearing liner, grey with single row ball bearing  
**Payload**  
max. 5 kg/bearing at ∅ 20 mm  
**Payload**  
max. 7 kg/bearing at ∅ 30 and 40 mm



**Conveyor roller bearing**  
Plastic bearing liner, blue with dual row ball bearing  
**Payload**  
max. 10 kg/bearing



**Conveyor roller bearing**  
Sheet Steel bearing liner, galvanised with single row ball bearing  
**Payload**  
80 kg/bearing



Axle types	
∅	
mm	
6	A6
8	A8
10	A10
12	A12
-	-
-	-

Stepped axle with external thread	
-	-
-	-
-	-
-	-
-	-

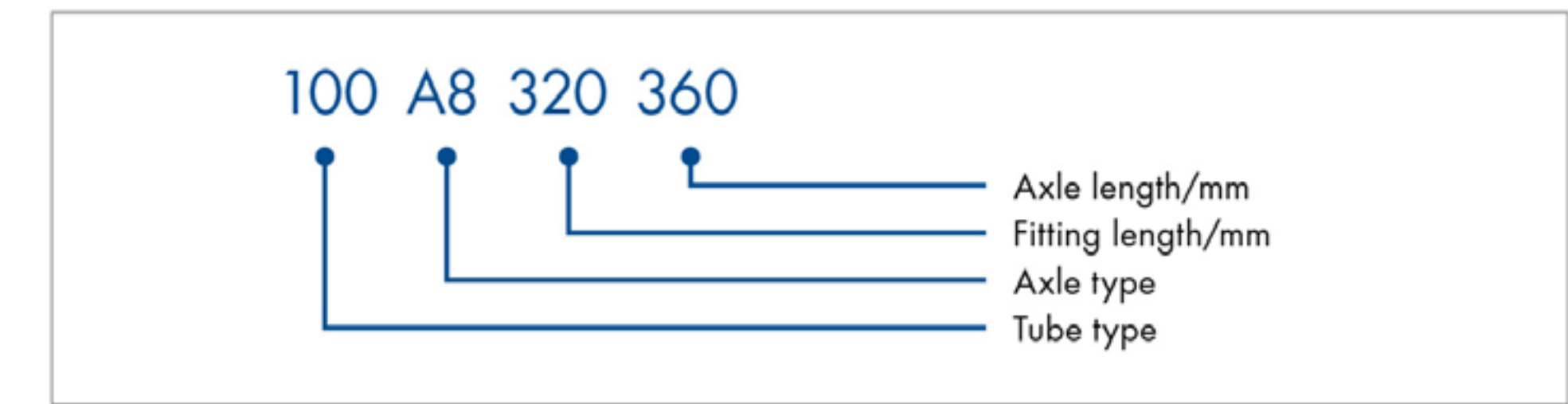
Internal thread	
10	C10
12	C12
-	-
-	-
-	-

Flat axle end	
6	D6
8	D8
10	D10
12	D12
-	-
-	-

Spanner flat	
10	E10
-	-
-	-
-	-
-	-

Spring axle	
6	F6
8	F8
10	F10
-	-
-	-

Article numbering system for orders



Remark: Technical description of axle variations please see on page 164.



# Blank steel cylinder conveyor rollers

# Zinc plated steel cylinder conveyor rollers

Axle types	
∅	
mm	
-	-
8	A8
10	A10
12	A12
14	A14
20	A20

Stepped axle with external thread	
20	B20
-	-
-	-
-	-
-	-

Internal thread	
10	C10
12	C12
14	C14
20	C20
-	-
-	-

Flat axle end	
-	-
8	D8
10	D10
12	D12
14	D14
-	-

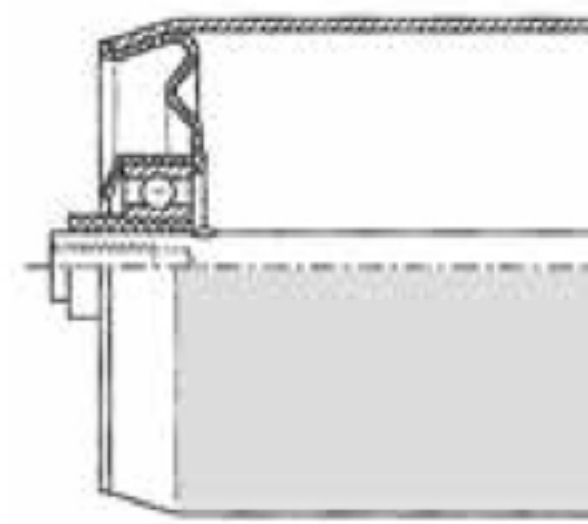
Spanner flat	
10	E10
12	E12
14	E14
20	E20
-	-
-	-

Spring axle	
-	-
8	F8
10	F10
12	F12
-	-
-	-

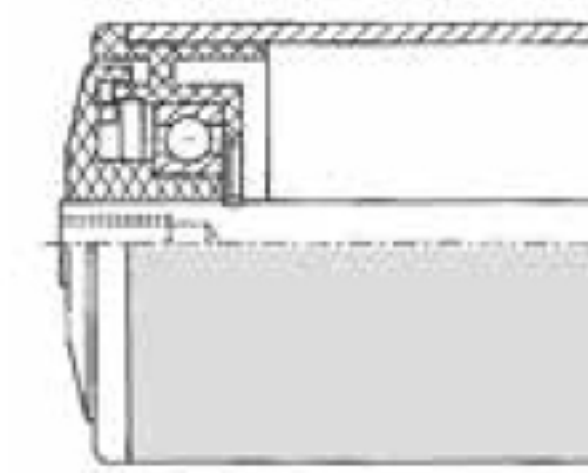
RL = Roller length  
EL = Fitting length  
AL = Axle length



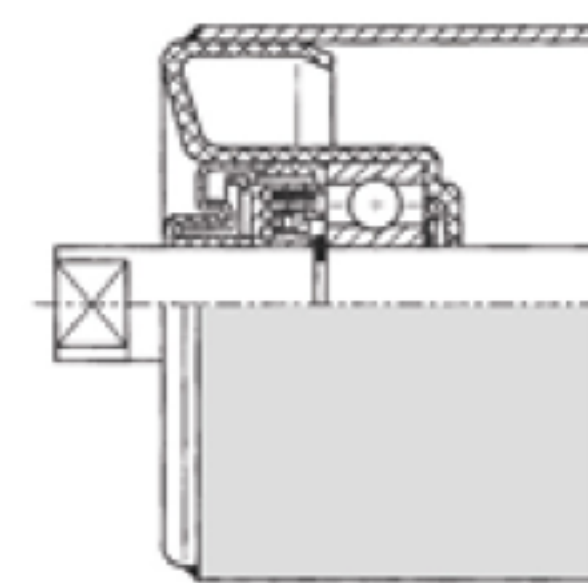
**Conveyor roller bearing**  
Sheet Steel bearing liner, galvanised with single row ball bearing and plastic hub  
**Payload**  
max. 120 kg/bearing



**Conveyor roller bearing**  
Plastic bearing liner, blue with heat seal and ball bearing  
**Payload**  
80 kg/bearing

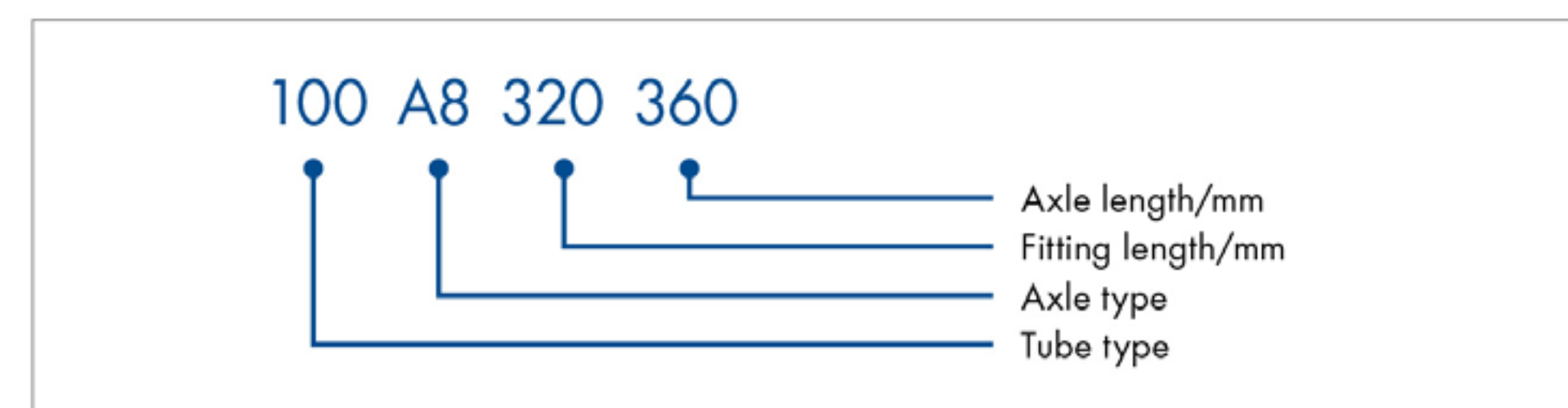


**Conveyor roller bearing**  
Sheet Steel bearing liner with dual heat seal and grooved ball bearing, 6204 for axle ∅ 20 mm, 6305 for axle ∅ 25 mm  
**Payload**  
max. 250 kg/bearing



External cylinder ∅	
mm	
50x1,5	181
50x2,0	191
60x2,0	201
80x2,0	211
50x1,5	221
50x2,0	231
60x2,0	241
80x2,0	251
80x2,0	261
80x3,0	271
89x3,25	281

Article numbering system for orders



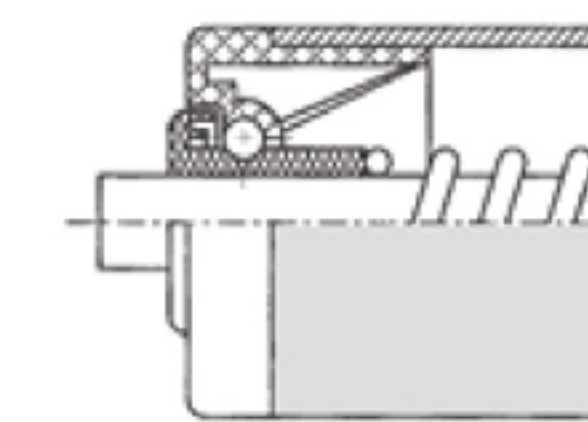
Remark: Technical description of axle variations please see on page 164.



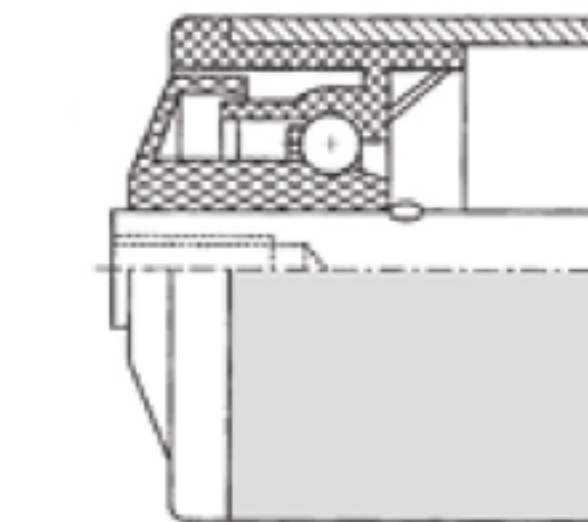
RL = Roller length  
EL = Fitting length  
AL = Axle length

External cylinder ∅	
mm	
20x1,5	102
30x1,0	112
40x1,5	122
50x1,5	132
40x1,5	142
50x1,5	152
50x2,0	162
60x2,0	172

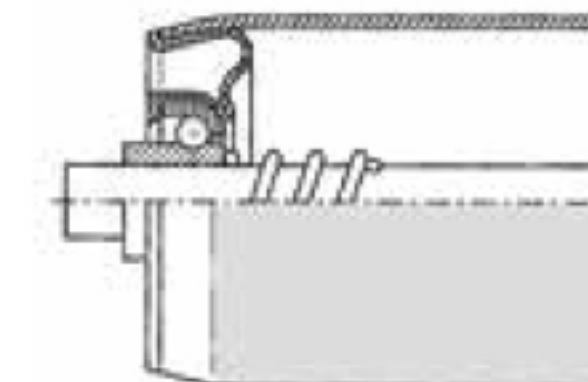
**Conveyor roller bearing**  
Plastic bearing liner, grey with single row ball bearing  
**Payload**  
max. 5 kg/bearing at ∅ 20 mm  
**Payload**  
max. 7 kg/bearing at ∅ 30 and 40 mm



**Conveyor roller bearing**  
Plastic bearing liner, blue with dual row ball bearing  
**Payload**  
max. 10 kg/bearing



**Conveyor roller bearing**  
Sheet Steel bearing liner, zinc plated with single row ball bearing  
**Payload**  
max. 80 kg/bearing



Axle types	
∅	
mm	
-	-
6	A6
8	A8
10	A10
12	A12
-	-
-	-

Stepped axle with external thread	
-	-
-	-
-	-
-	-
-	-

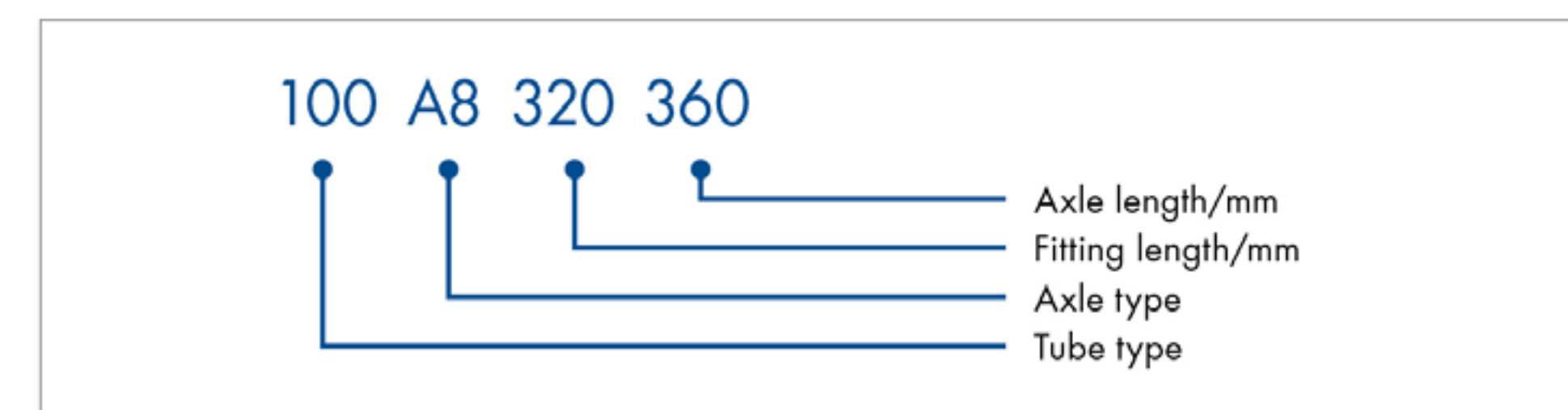
Internal thread	
10	C10
12	C12
-	-
-	-
-	-

Flat axle end	
6	D6
8	D8
10	D10
12	D12
-	-
-	-

Spanner flat	
10	E10
-	-
-	-
-	-
-	-

Spring axle	
6	F6
8	F8
10	F10
-	-
-	-

Article numbering system for orders



Remark: Technical description of axle variations please see on page 164.



## Zinc plated steel cylinder conveyor rollers

## Aluminium cylinder conveyor rollers

Axle types	
∅	
mm	
-	-
8	A8
10	A10
12	A12
14	A14
20	A20

Stepped axle with external thread	
20	B20
-	-
-	-
-	-
-	-
-	-

Internal thread	
10	C10
12	C12
14	C14
20	C20
-	-
-	-

Flat axle end	
-	-
8	D8
10	D10
12	D12
14	D14
-	-

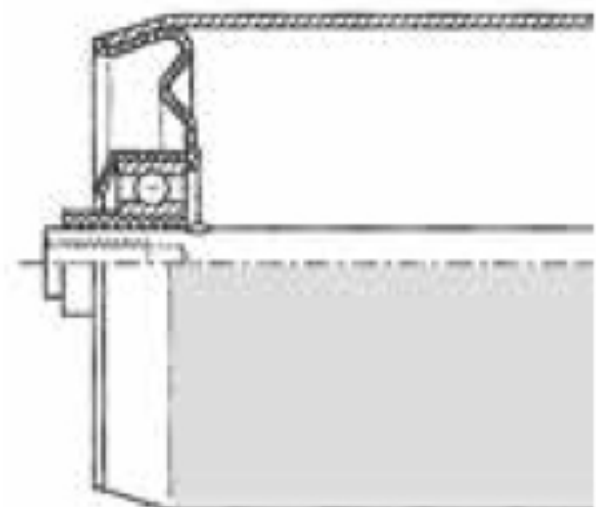
Spanner flat	
10	E10
12	E12
14	E14
20	E20
-	-
-	-

Spring axle	
-	-
8	F8
10	F10
12	F12
-	-
-	-

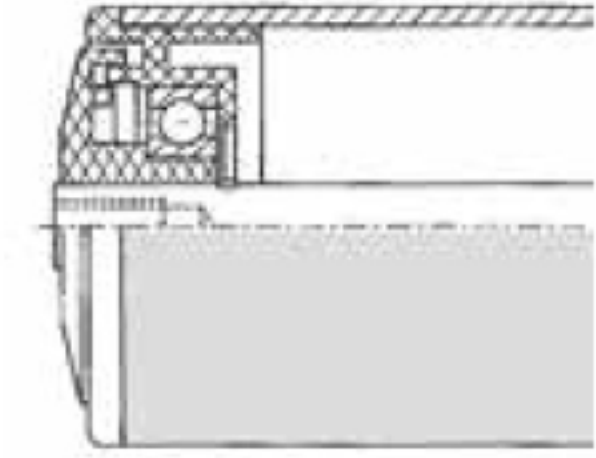
RL = Roller length  
EL = Fitting length  
AL = Axle length



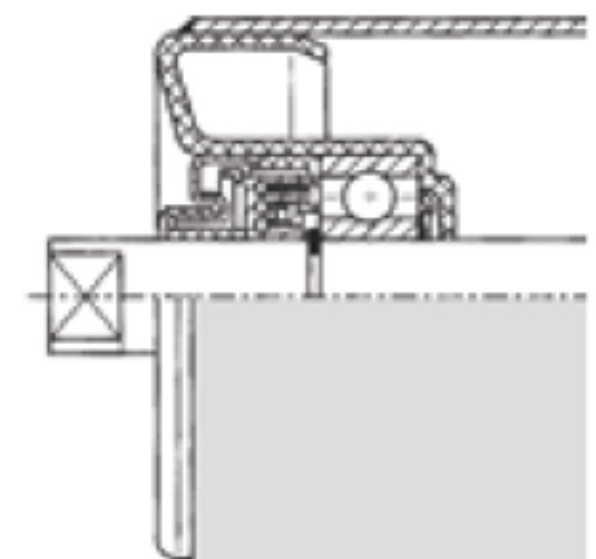
**Conveyor roller bearing**  
Sheet Steel bearing liner, galvanised with single row ball bearing and plastic hub  
**Payload**  
max. 120 kg/bearing



**Conveyor roller bearing**  
Plastic bearing liner, blue with heat seal and ball bearing  
**Payload**  
80 kg/bearing

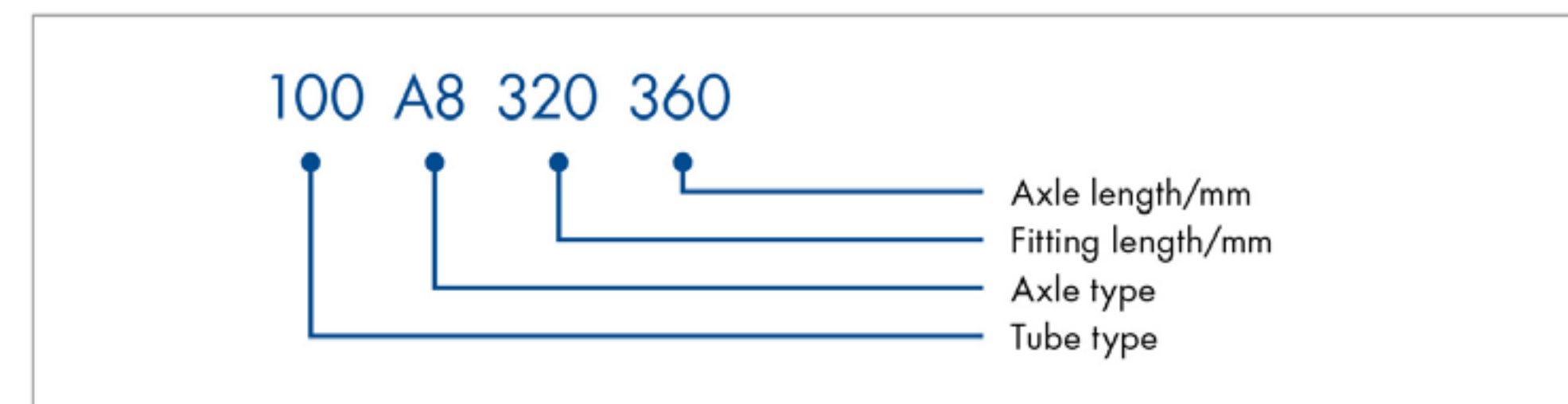


**Conveyor roller bearing**  
Sheet Steel bearing liner with dual heat seal and grooved ball bearing, 6204 for axle ∅ 20 mm, 6305 for axle ∅ 25 mm  
**Payload**  
max. 250 kg/bearing



External cylinder ∅		
mm		
50x1,5		182
50x2,0		192
60x2,0		202
80x2,0		212
50x1,5		222
50x2,0		232
60x2,0		242
80x2,0		252
80x2,0		262
80x3,0		272
88,9x2,9		282

Article numbering system for orders



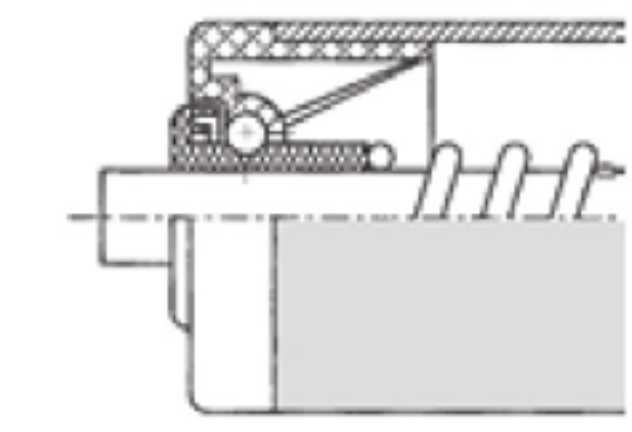
Remark: Technical description of axle variations please see on page 164.



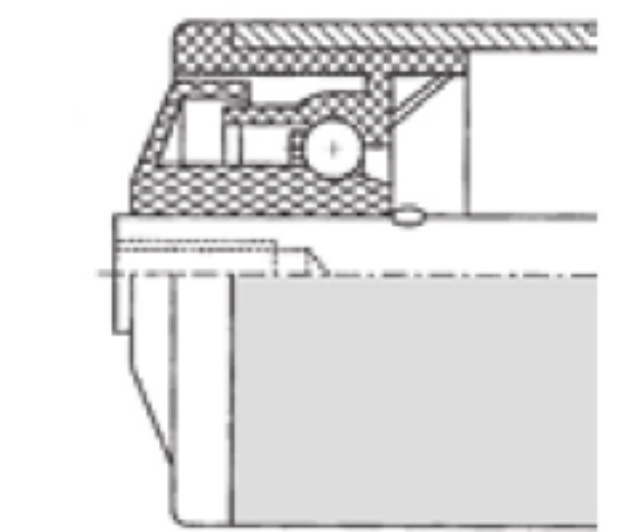
RL = Roller length  
EL = Fitting length  
AL = Axle length

External cylinder ∅		
mm		
20x1,5		103
30x2,0		113
40x1,5		123
50x1,5		133
40x1,5		143
50x2,0		153

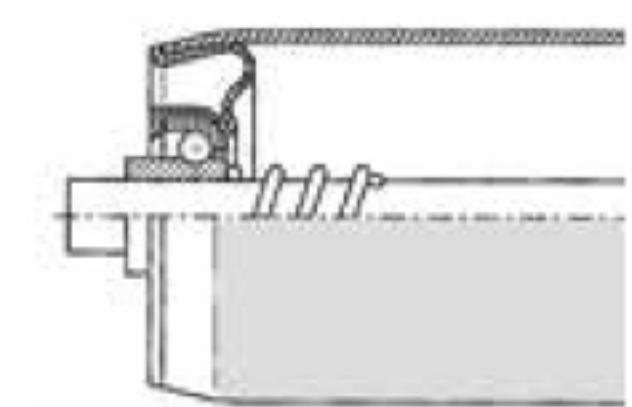
**Conveyor roller bearing**  
Plastic bearing liner, grey with single row ball bearing  
**Payload**  
max. 5 kg/bearing at ∅ 20 mm  
**Payload**  
max. 7 kg/bearing at ∅ 30 and 40 mm



**Conveyor roller bearing**  
Plastic bearing liner, blue with dual row ball bearing  
**Payload**  
max. 10 kg/bearing



**Conveyor roller bearing**  
Sheet Steel bearing liner, galvanised with single row ball bearing  
**Payload**  
max. 80 kg/bearing



Axle types	
∅	
mm	
-	-
6	A6
8	A8
10	A10
12	A12
14	A14
-	-

Stepped axle with external thread	
20	B20
-	-
-	-
-	-
-	-
-	-

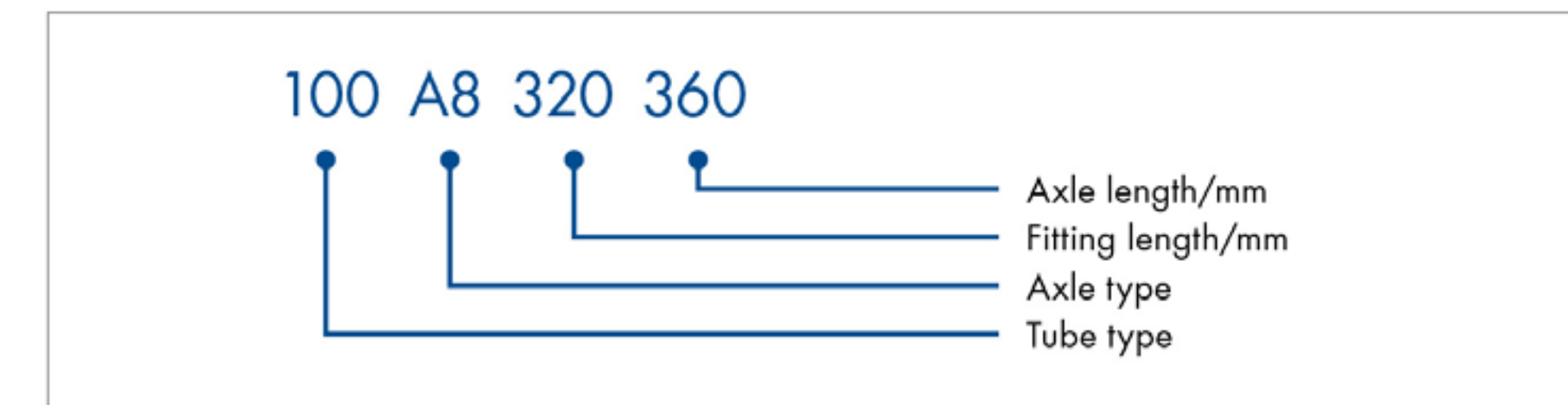
Internal thread	
10	C10
12	C12
14	C14
20	C20
-	-
-	-

Flat axle end	
6	D6
8	D8
10	D10
12	D12
14	D14
-	-

Spanner flat	
10	E10
-	-
-	-
-	-
-	-

Spring axle	
6	F6
8	F8
10	F10
-	-
-	-

Article numbering system for orders



Remark: Technical description of axle variations please see on page 164.



# Aluminium cylinder conveyor rollers

# Stainless steel cylinder conveyor rollers

Axle types	
∅	
mm	
6	A6
8	A8
10	A10
12	A12
14	A14
-	-

Stepped axle with external thread	
20	B20
-	-
-	-
-	-
-	-

Internal thread	
10	C10
12	C12
14	C14
20	C20
-	-
-	-

Flat axle end	
6	D6
8	D8
10	D10
12	D12
14	D14
-	-

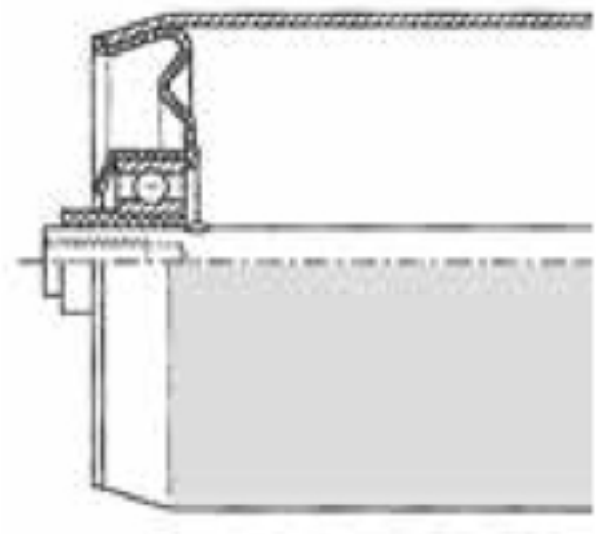
Spanner flat	
10	E10
-	-
-	-
-	-
-	-

Spring axle	
6	F6
8	F8
10	F10
-	-
-	-

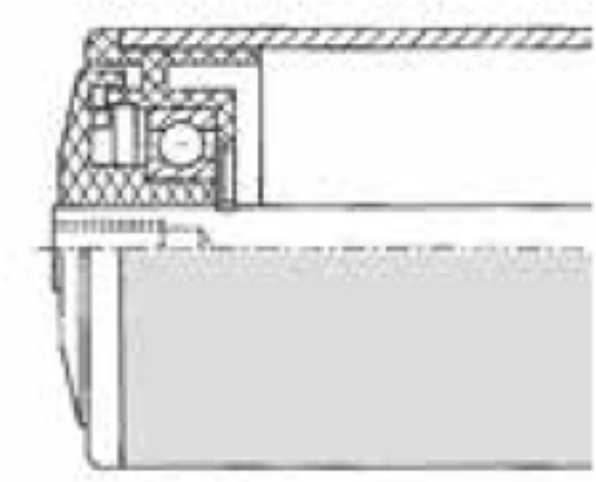
RL = Roller length  
EL = Fitting length  
AL = Axle length



**Conveyor roller bearing**  
Sheet Steel bearing liner, galvanised with single row ball bearing and plastic hub  
**Payload**  
max. 120 kg/bearing

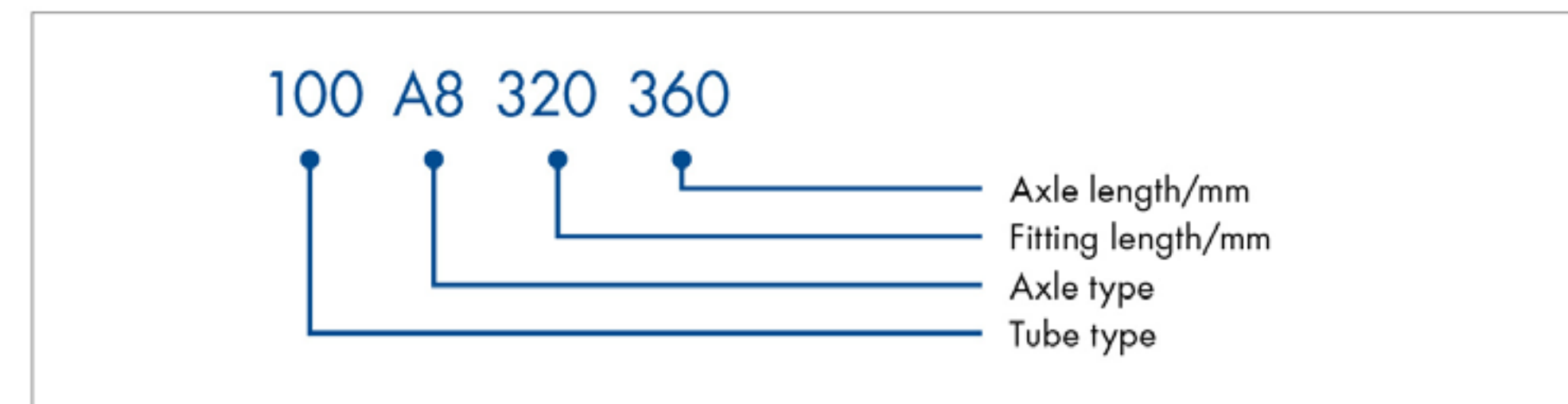


**Conveyor roller bearing**  
Plastic bearing liner, blue with heat seal and ball bearing  
**Payload**  
80 kg/bearing



External cylinder ∅	
mm	
50x1,5	163
50x1,5	193

Article numbering system for orders



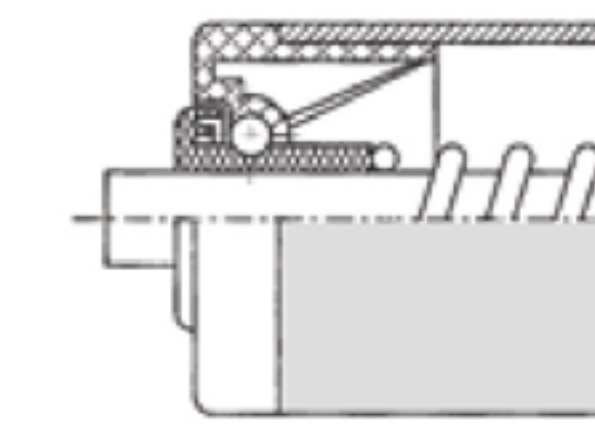
Remark: Technical description of axle variations please see on page 164.



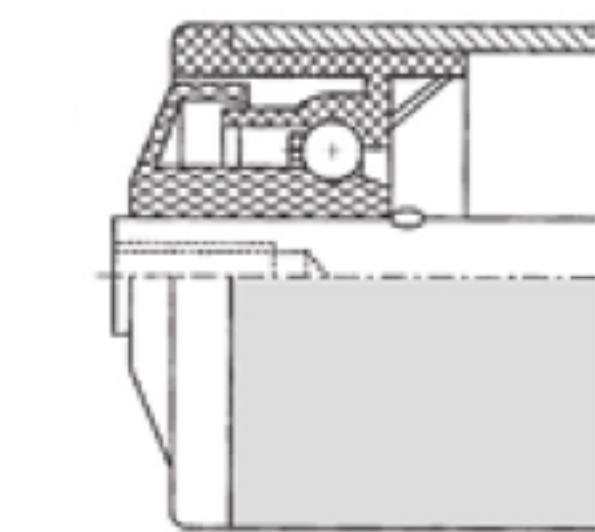
RL = Roller length  
EL = Fitting length  
AL = Axle length

External cylinder ∅	
mm	
20x1,0	104
30x1,0	114
40x1,5	124
50x1,5	134
40x1,5	144
50x1,5	154
60x2,0	164

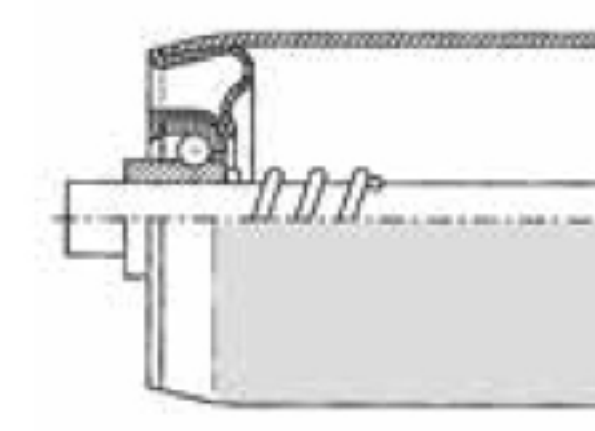
**Conveyor roller bearing**  
Plastic bearing liner, grey with single row ball bearing  
**Payload**  
max. 5 kg/bearing at ∅ 20 mm  
**Payload**  
max. 7 kg/bearing at ∅ 30 and 40 mm



**Conveyor roller bearing**  
Plastic bearing liner, blue with dual row ball bearing  
**Payload**  
max. 10 kg/bearing



**Conveyor roller bearing**  
Sheet Steel bearing liner, galvanised with single row ball bearing  
**Payload**  
max. 80 kg/bearing



Axle types	
∅	
mm	
6	A6
8	A8
10	A10
12	A12
-	-
-	-

Stepped axle with external thread	
-	-
-	-
-	-
-	-
-	-

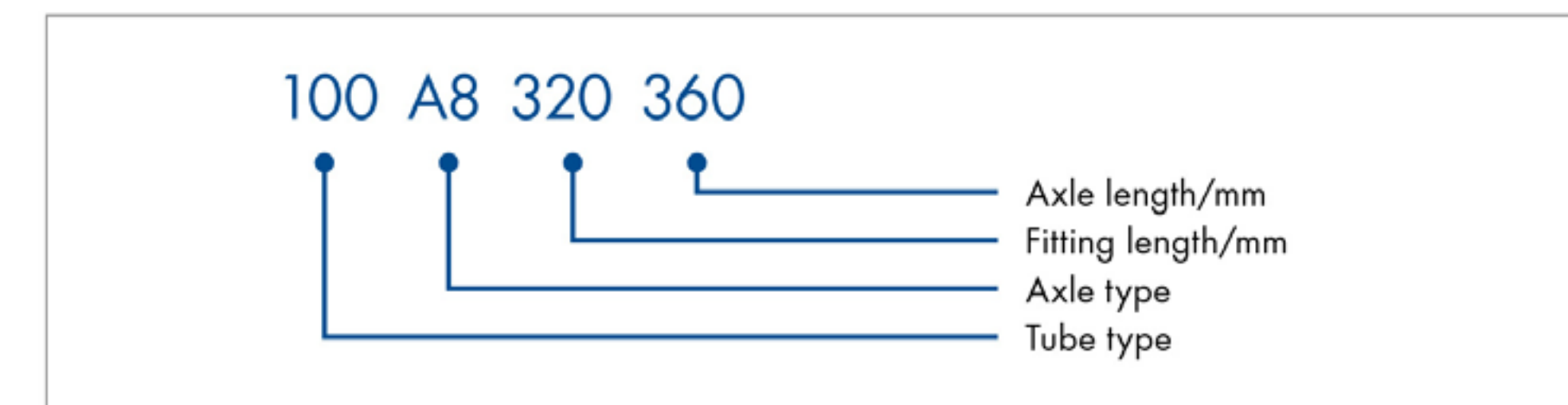
Internal thread	
10	C10
12	C12
-	-
-	-
-	-

Flat axle end	
6	D6
8	D8
10	D10
12	D12
-	-
-	-

Spanner flat	
10	E10
-	-
-	-
-	-
-	-

Spring axle	
6	F6
8	F8
10	F10
-	-
-	-

Article numbering system for orders



Remark: Technical description of axle variations please see on page 164.



# Stainless steel cylinder conveyor rollers

# Powered plastic conveyor rollers

Axle types	
∅	
mm	
-	-
8	A8
10	A10
12	A12
14	A14
20	A20

Stepped axle with external thread	
20	B20
-	-
-	-
-	-
-	-
-	-

Internal thread	
10	C10
12	C12
14	C14
20	C20
-	-
-	-

Flat axle end	
-	-
8	D8
10	D10
12	D12
14	D14
-	-

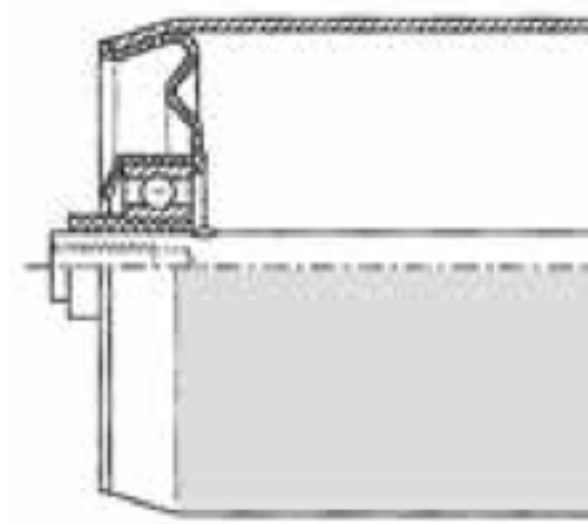
Spanner flat	
10	E10
12	E12
14	E14
20	E20
-	-
-	-

Spring axle	
-	-
8	F8
10	F10
12	F12
-	-
-	-

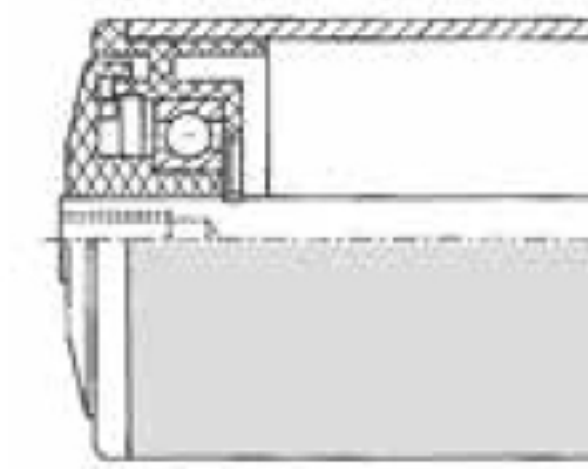
RL = Roller length  
EL = Fitting length  
AL = Axle length



**Conveyor roller bearing**  
Sheet Steel bearing liner, zinc plated with single row ball bearing and plastic hub  
**Payload**  
max. 120 kg/bearing



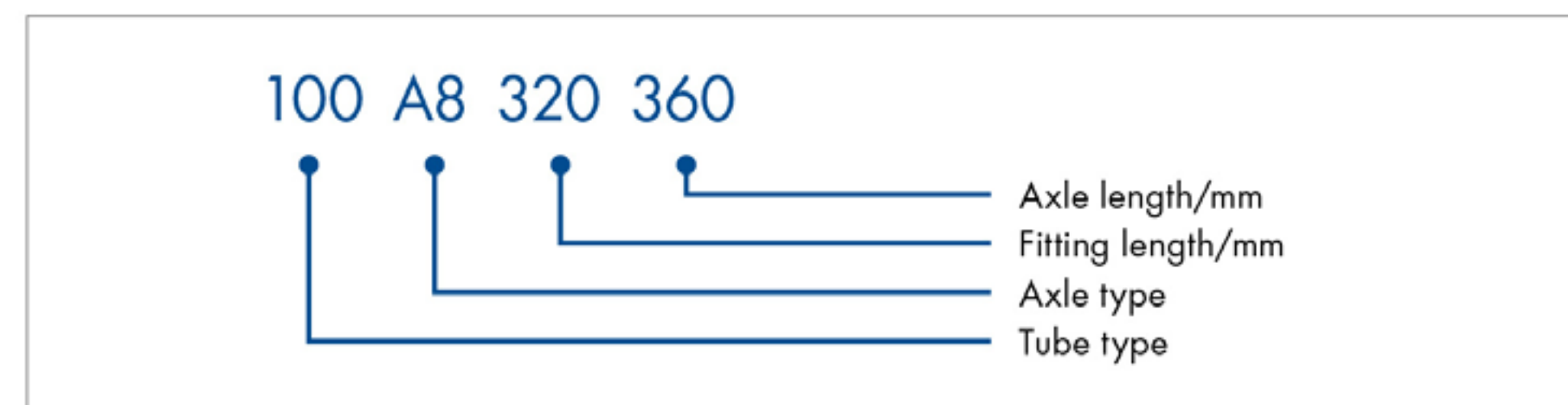
**Conveyor roller bearing**  
Plastic bearing liner, blue with heat seal and ball bearing  
**Payload**  
max. 80 kg/bearing



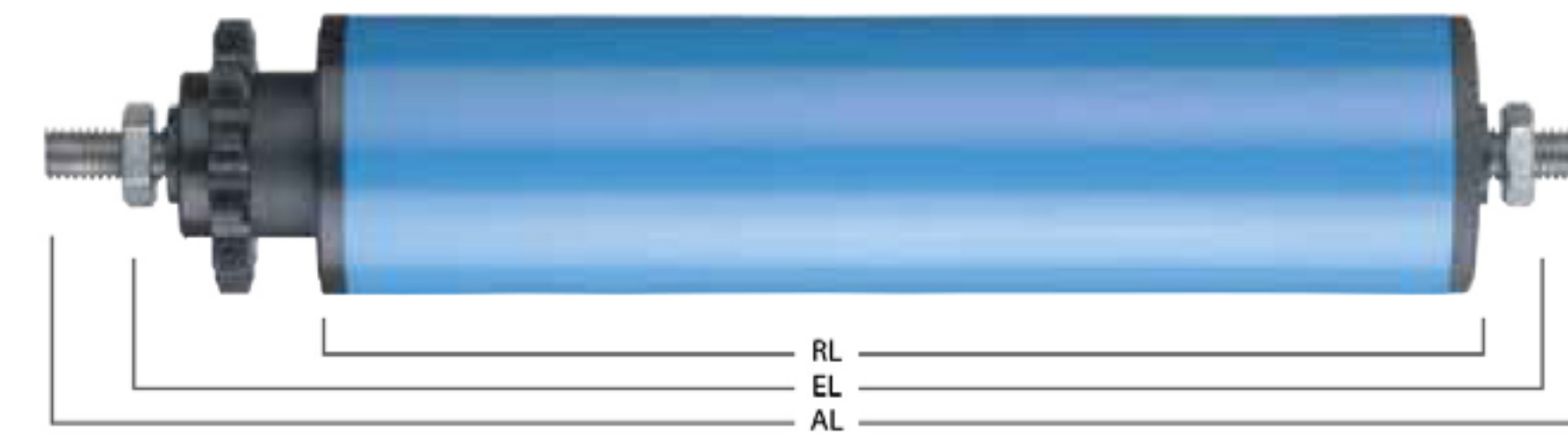
External cylinder ∅ mm	
50x1,5	174
60x2,0	184
80x2,0	194

50x1,5	204
60x2,0	214
80x2,0	224

Article numbering system for orders



Remark: Technical description of axle variations please see on page 164.

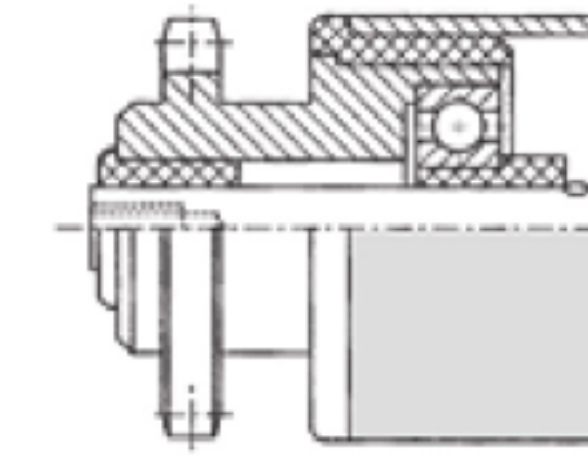


RL = Roller length  
EL = Fitting length  
AL = Axle length

External cylinder ∅ mm	
50x2,8	160
63x3,0	170

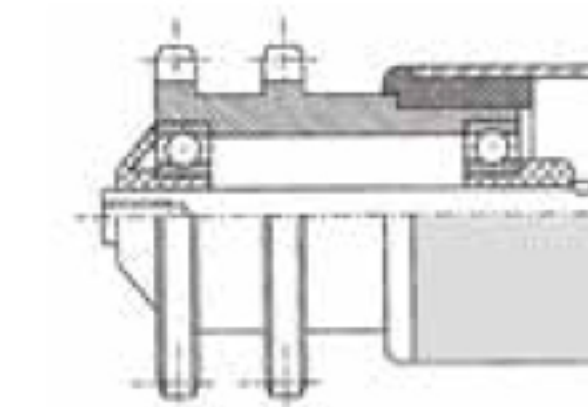
50x2,8	180
63x3,0	190

**Drive section**  
Single sprocket wheel 1/2" x 5/16", 11 steel or alternatively plastic sprockets, available as a fixed drive with press or welded fit or as an accumulating conveyor. Press fit fixed drive should only be used for continuous conveyance.



**Thrust bearing**  
Plastic bearing liner with dual heat seal and grooved ball bearing.  
**Payload**  
40 kg/roller

**Drive section**  
Dual sprocket wheel 1/2" x 5/16", 14 steel or alternatively plastic sprockets, available as a fixed drive with press or welded fit or as an accumulating conveyor. Press fit fixed drive should only be used for continuous conveyance.



**Thrust bearing**  
Plastic bearing liner with dual heat seal and grooved ball bearing.  
**Payload**  
40 kg/roller

Axle types	
∅	
mm	
-	-
10	A10
12	A12
14	A14
-	-

Stepped axle with external thread	
-	-
-	-
-	-
-	-
-	-
-	-

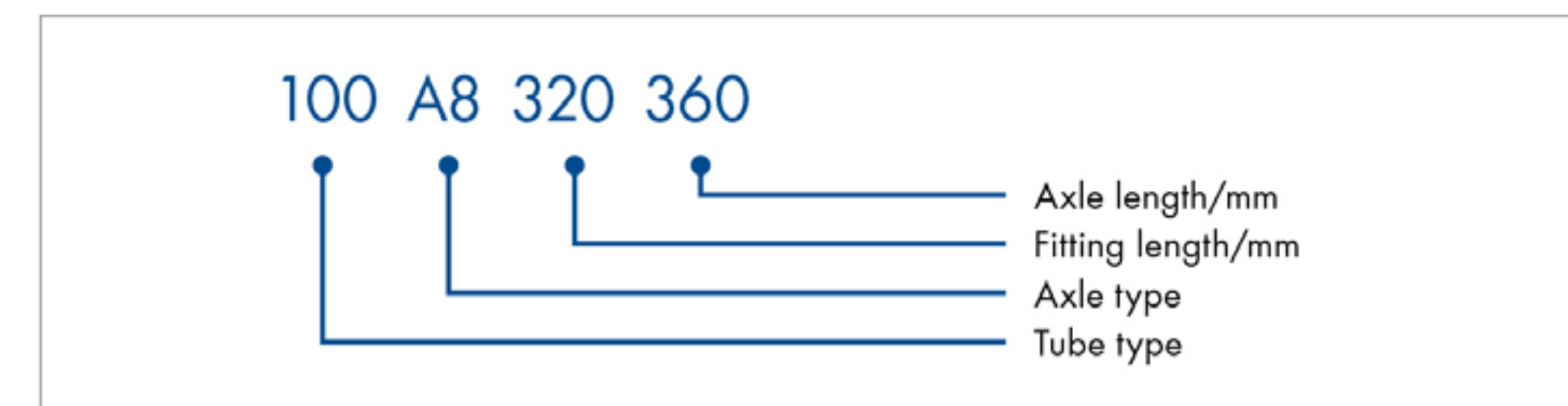
Internal thread	
-	-
12	C12
14	C14
-	-
-	-

Flat axle end	
-	-
-	-
-	-
-	-
-	-
-	-

Spanner flat	
-	-
-	-
-	-
-	-
-	-
-	-

Spring axle	
-	-
-	-
-	-
-	-
-	-
-	-

Article numbering system for orders



Remark: Technical description of axle variations please see on page 164.



# Powered blank steel conveyor rollers

Axle types	
∅	
mm	
-	-
-	-
10	A10
12	A12
14	A14
20	A20

Stepped axle with external thread	
-	-
-	-
-	-
-	-
-	-

Internal thread	
-	-
12	C12
14	C14
20	C20
25	C25
-	-

Flat axle end	
-	-
-	-
-	-
-	-
-	-

Spanner flat	
-	-
-	-
-	-
-	-
-	-

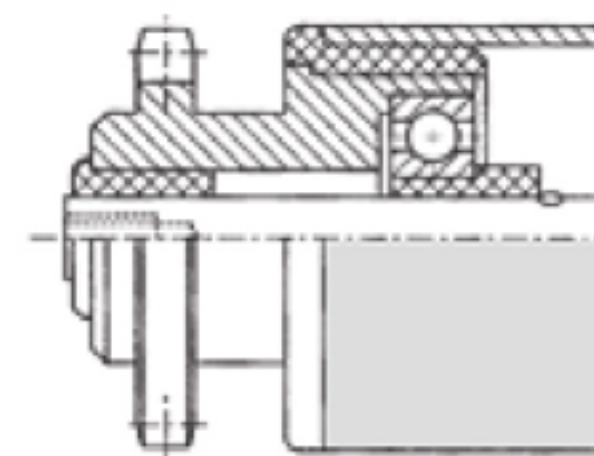
  

Spring axle	
-	-
-	-
-	-
-	-
-	-

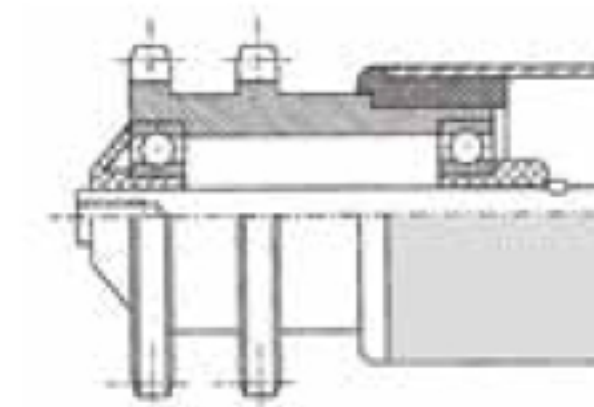
RL = Roller length  
EL = Fitting length  
AL = Axle length



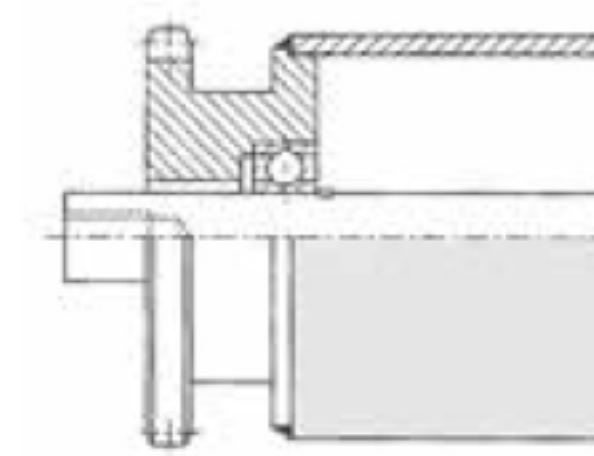
**Drive section**  
Single sprocket wheel 1/2" x 5/16", 11 steel or alternatively plastic sprockets, available as a fixed drive with press or welded fit or as an accumulating conveyor. Press fit fixed drive should only be used for continuous conveyance.  
**Thrust bearing**  
Plastic bearing liner with dual heat seal and grooved ball bearing.  
**Payload**  
40 kg/roller



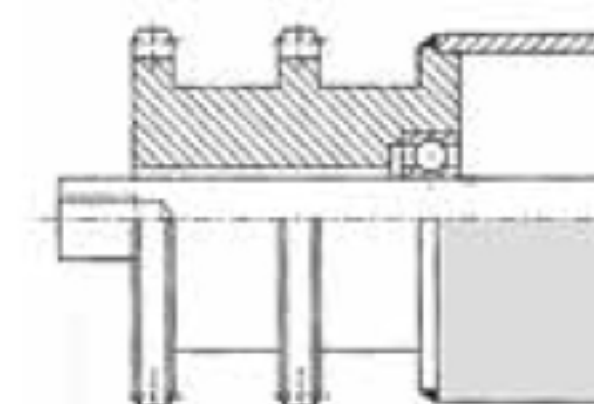
**Drive section**  
Dual sprocket wheel 1/2" x 5/16", 14 steel or alternatively plastic sprockets, available as a fixed drive with press or welded fit or as an accumulating conveyor. Press fit fixed drive should only be used for continuous conveyance.  
**Thrust bearing**  
Plastic bearing liner with dual heat seal and grooved ball bearing.  
**Payload**  
40 kg/roller



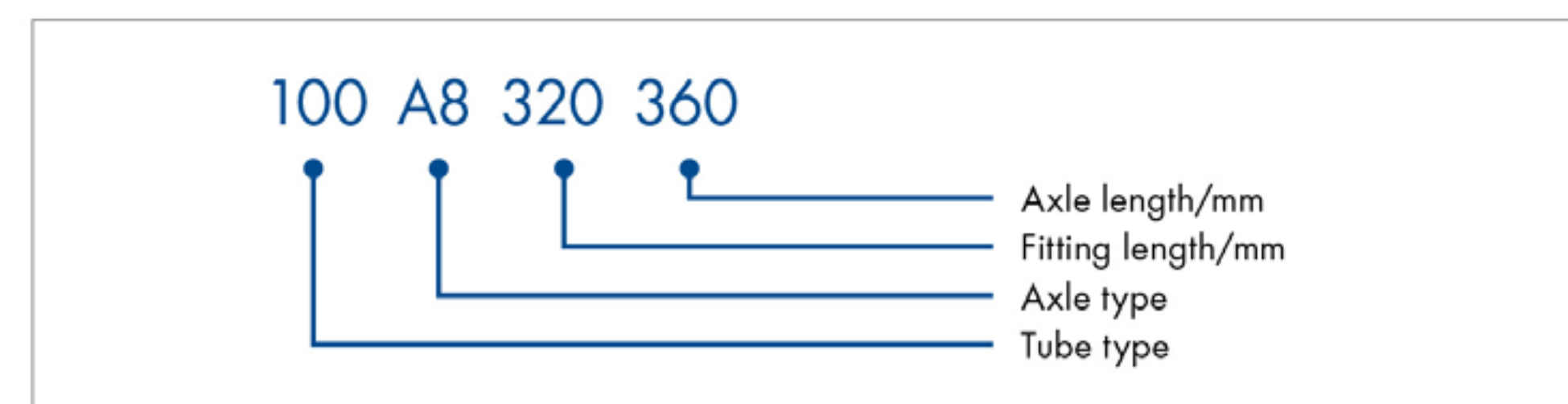
**Drive section**  
Single sprocket wheel 5/8" x 3/8", 13 or 15 steel sprockets, welded onto roller frame.  
**Thrust bearing**  
Heavy duty, sheet steel liner with grooved ball bearing.  
**Payload**  
120 kg/bearing



**Drive section**  
Dual sprocket wheel 5/8" x 3/8", 15 steel sprockets, welded onto roller frame.  
**Thrust bearing**  
Heavy duty, sheet steel liner with grooved ball bearing.  
**Payload**  
120 kg/bearing



Article numbering system for orders



Remark: Technical description of axle variations please see on page 164.

# Powered zinc plated steel conveyor rollers



RL = Roller length  
EL = Fitting length  
AL = Axle length

External cylinder ∅	
mm	
50x1,5	291
50x2,0	301
60x2,0	311
80x2,0	321

External cylinder ∅	
mm	
50x1,5	292
50x2,0	302
60x2,0	312
80x2,0	322

External cylinder ∅	
mm	
50x1,5	331
50x2,0	341
60x2,0	351
80x2,0	361

External cylinder ∅	
mm	
50x1,5	332
50x2,0	342
60x2,0	352
80x2,0	362

External cylinder ∅	
mm	
63,5x2,9	371
80x2,0	381
80x3,0	391
88,9x2,9	401

External cylinder ∅	
mm	
63,5x2,9	372
80x2,0	382
80x3,0	392
88,9x2,9	402

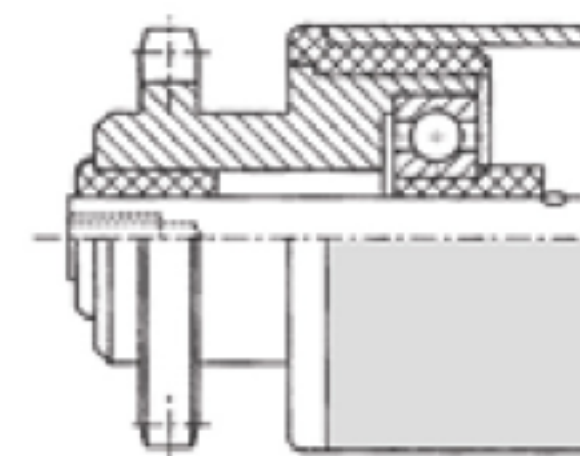
  

External cylinder ∅	
mm	
63,5x2,9	411
80x2,0	421
80x3,0	431
88,9x2,9	441

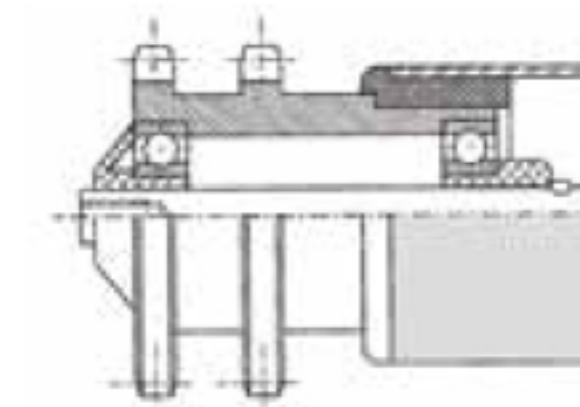
  

External cylinder ∅	
mm	
63,5x2,9	412
80x2,0	422
80x3,0	432
88,9x2,9	442

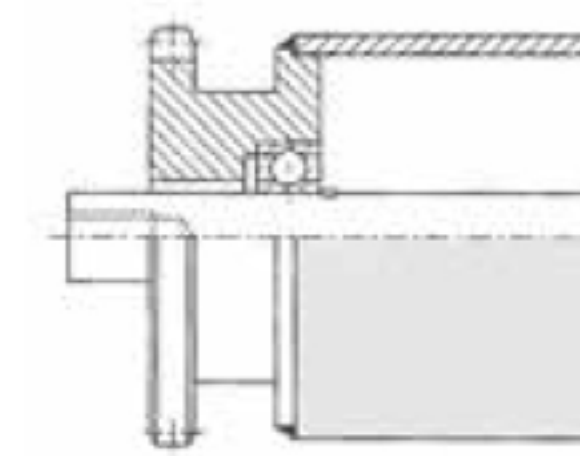
**Drive section**  
Single sprocket wheel 1/2" x 5/16", 11 steel or alternatively plastic sprockets, available as a fixed drive with press or welded fit or as an accumulating conveyor. Press fit fixed drive should only be used for continuous conveyance.  
**Thrust bearing**  
Plastic bearing liner with dual heat seal and grooved ball bearing.  
**Payload**  
40 kg/roller



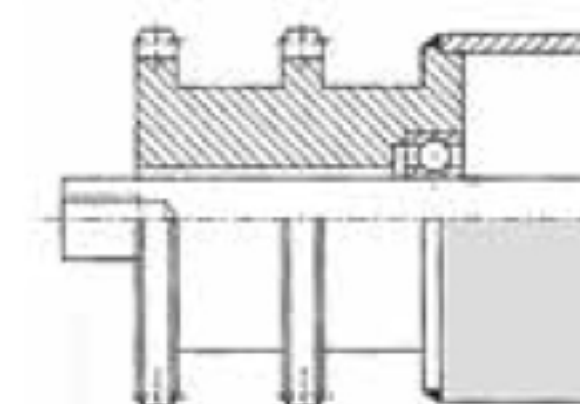
**Drive section**  
Dual sprocket wheel 1/2" x 5/16", 14 steel or alternatively plastic sprockets, available as a fixed drive with press or welded fit or as an accumulating conveyor. Press fit fixed drive should only be used for continuous conveyance.  
**Thrust bearing**  
Plastic bearing liner with dual heat seal and grooved ball bearing.  
**Payload**  
40 kg/roller



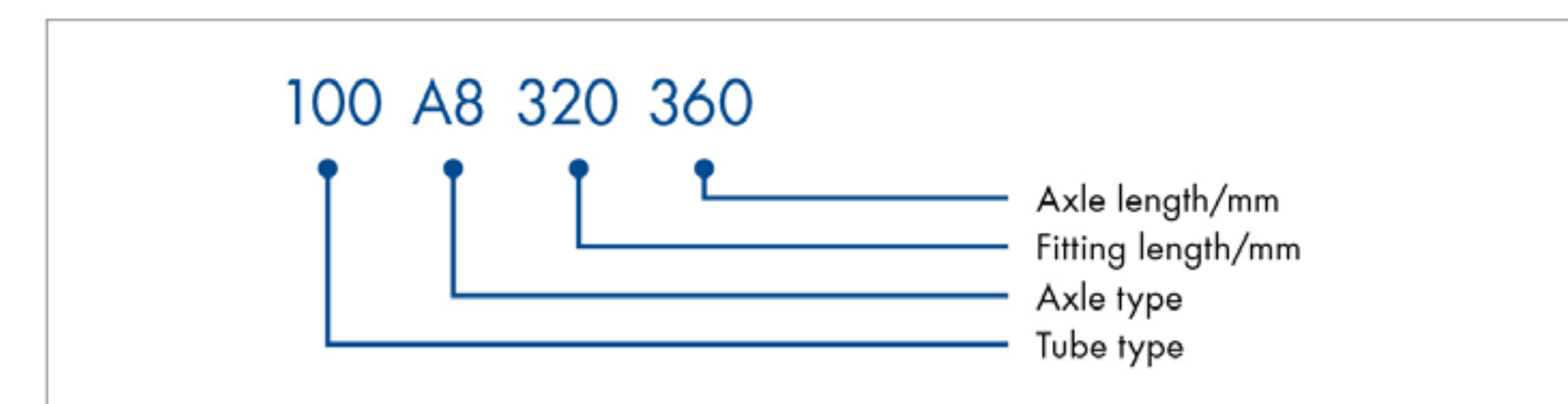
**Drive section**  
Single sprocket wheel 5/8" x 3/8", 13 or 15 steel sprockets, welded onto roller frame.  
**Thrust bearing**  
Heavy duty, sheet steel liner with grooved ball bearing.  
**Payload**  
120 kg/bearing



**Drive section**  
Dual sprocket wheel 5/8" x 3/8", 15 steel sprockets, welded onto roller frame.  
**Thrust bearing**  
Heavy duty, sheet steel liner with grooved ball bearing.  
**Payload**  
120 kg/bearing



Article numbering system for orders



Remark: Technical description of axle variations please see on page 164.

Axle types	
∅	
mm	
-	-
-	-
10	A10
12	A12
14	A14
20	A20

External thread	
-	-
-	-
10	A10
12	A12
14	A14
20	A20

Stepped axle with external thread	
-	-
-	-
-	-
-	-
-	-

Internal thread	
-	-
12	C12
14	C14
20	C20
25	C25
-	-

Flat axle end	
-	-
-	-
-	-
-	-
-	-

Spanner flat	
-	-
-	-
-	-
-	-
-	-

Spring axle	
-	-
-	-
-	-
-	-
-	-



# Powered aluminium cylinder conveyor rollers

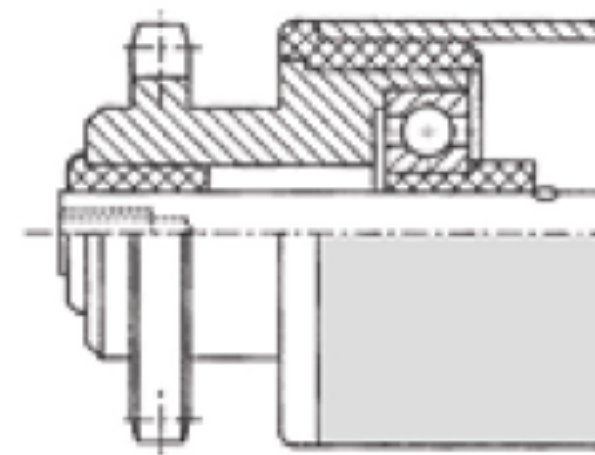
# Powered stainless steel cylinder conveyor rollers

Axle types	
∅	
mm	
<b>External thread</b>	
-	-
-	-
10	A10
12	A12
14	A14
-	-
<b>Stepped axle with external thread</b>	
-	-
-	-
-	-
-	-
-	-
<b>Internal thread</b>	
-	-
12	C12
14	C14
-	-
-	-
-	-
<b>Flat axle end</b>	
-	-
-	-
-	-
-	-
-	-
<b>Spanner flat</b>	
-	-
-	-
-	-
-	-
-	-
<b>Spring axle</b>	
-	-
-	-
-	-
-	-
-	-

RL = Roller length  
EL = Fitting length  
AL = Axle length

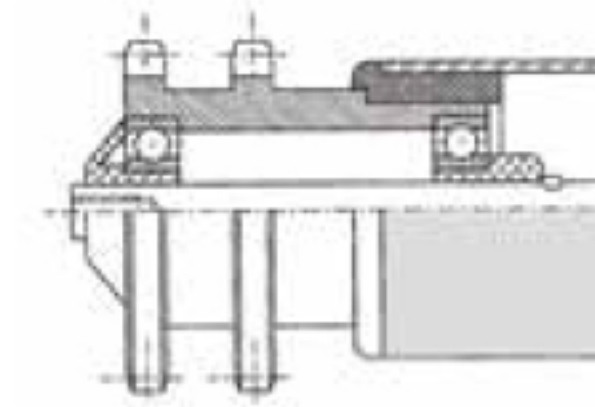


**Drive section**  
Single sprocket wheel 1/2" x 5/16", 11 steel or alternatively plastic sprockets, available as a fixed drive with press or welded fit or as an accumulating conveyor. Press fit fixed drive should only be used for continuous conveyance.



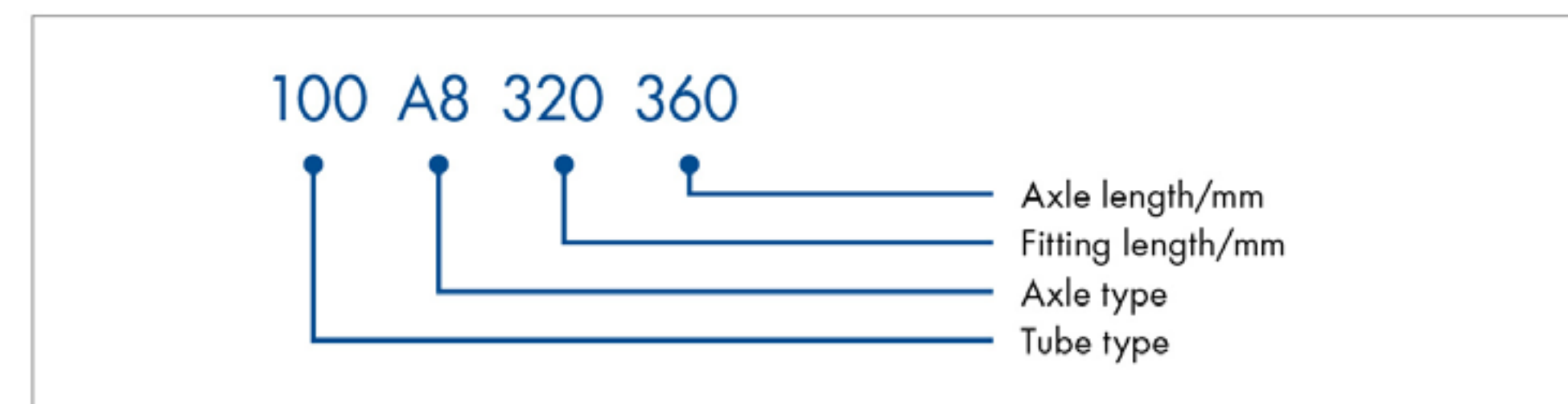
**Thrust bearing**  
Plastic bearing liner with dual heat seal and grooved ball bearing.  
**Payload**  
40 kg/roller

**Drive section**  
Dual sprocket wheel 1/2" x 5/16", 14 steel or alternatively plastic sprockets, available as a fixed drive with press or welded fit or as an accumulating conveyor. Press fit fixed drive should only be used for continuous conveyance.



**Thrust bearing**  
Plastic bearing liner with dual heat seal and grooved ball bearing.  
**Payload**  
40 kg/roller

Article numbering system for orders



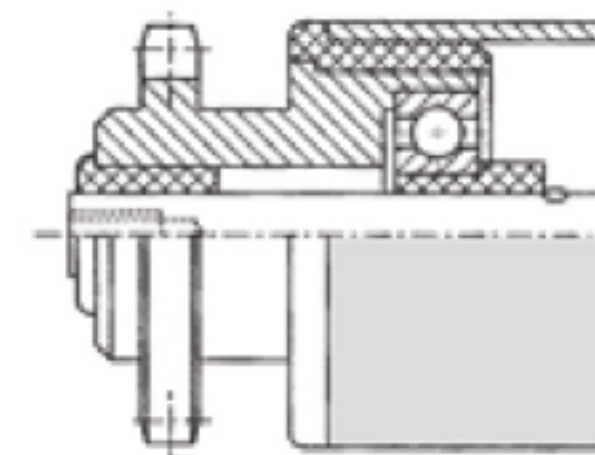
Remark: Technical description of axle variations please see on page 164.



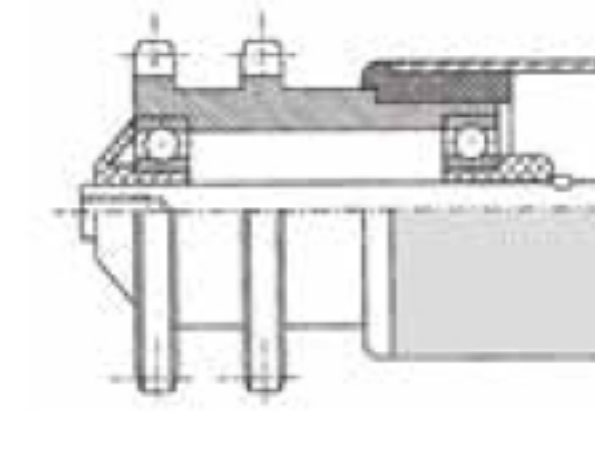
RL = Roller length  
EL = Fitting length  
AL = Axle length

External cylinder ∅	
mm	
50x1,5	234
50x2,0	244
60,3x1,65	254
80x2,0	264
<b>50x1,5</b>	
50x1,5	274
50x2,0	284
60,3x1,65	294
80x2,0	304
<b>80x2,0</b>	
80x2,0	314
<b>80x2,0</b>	
80x2,0	324

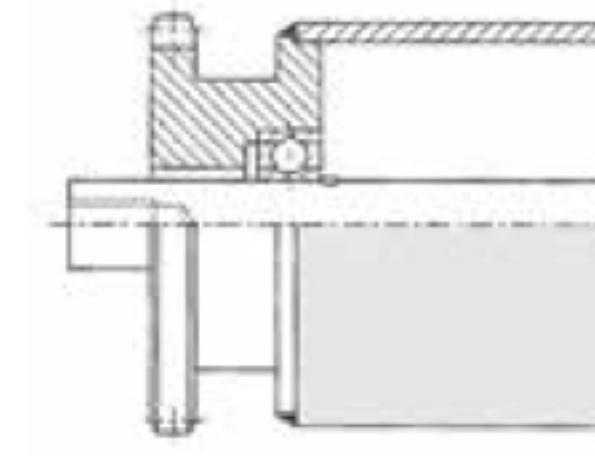
**Drive section**  
Single sprocket wheel 1/2" x 5/16", 11 steel or alternatively plastic sprockets, available as a fixed drive with press or welded fit or as an accumulating conveyor. Press fit fixed drive should only be used for continuous conveyance.  
**Thrust bearing**  
Plastic bearing liner with dual heat seal and grooved ball bearing.  
**Payload**  
40 kg/roller



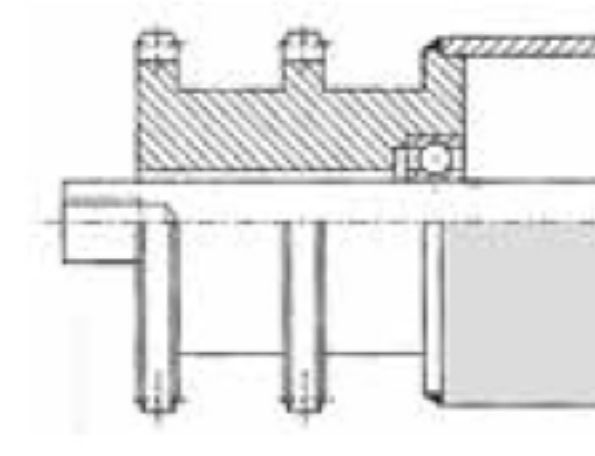
**Drive section**  
Dual sprocket wheel 1/2" x 5/16", 14 steel or alternatively plastic sprockets, available as a fixed drive with press or welded fit or as an accumulating conveyor. Press fit fixed drive should only be used for continuous conveyance.  
**Thrust bearing**  
Plastic bearing liner with dual heat seal and grooved ball bearing.  
**Payload**  
40 kg/roller



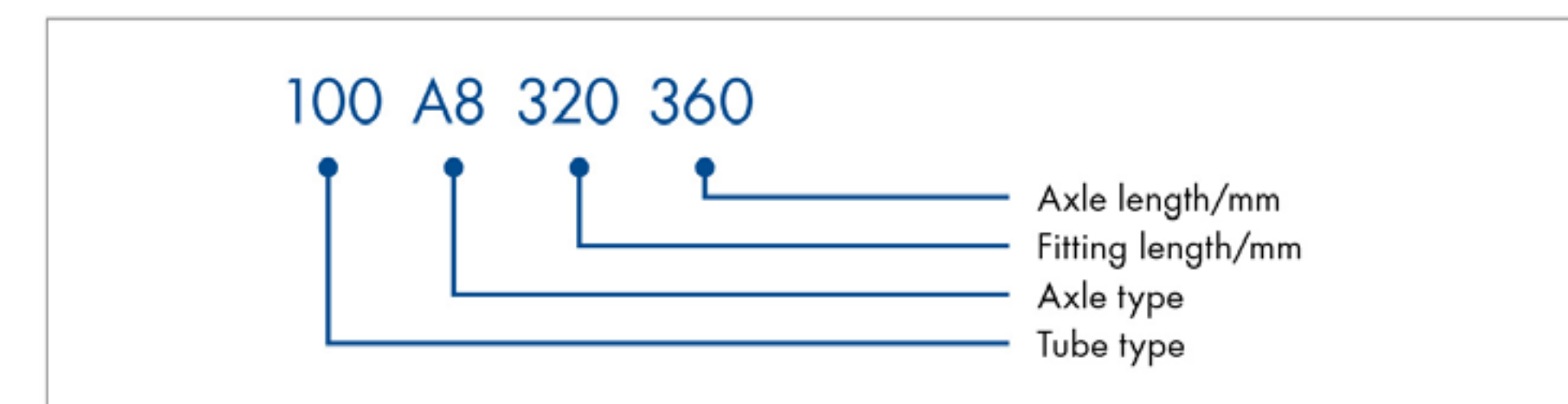
**Drive section**  
Single sprocket wheel 5/8" x 3/8", 13 or 15 steel sprockets, welded onto roller frame.  
**Thrust bearing**  
Heavy duty, sheet steel liner with grooved ball bearing.  
**Payload**  
120 kg/bearing



**Drive section**  
Dual sprocket wheel 5/8" x 3/8", 15 steel sprockets, welded onto roller frame.  
**Thrust bearing**  
Heavy duty, sheet steel liner with grooved ball bearing.  
**Payload**  
120 kg/roller



Article numbering system for orders



Remark: Technical description of axle variations please see on page 164.