

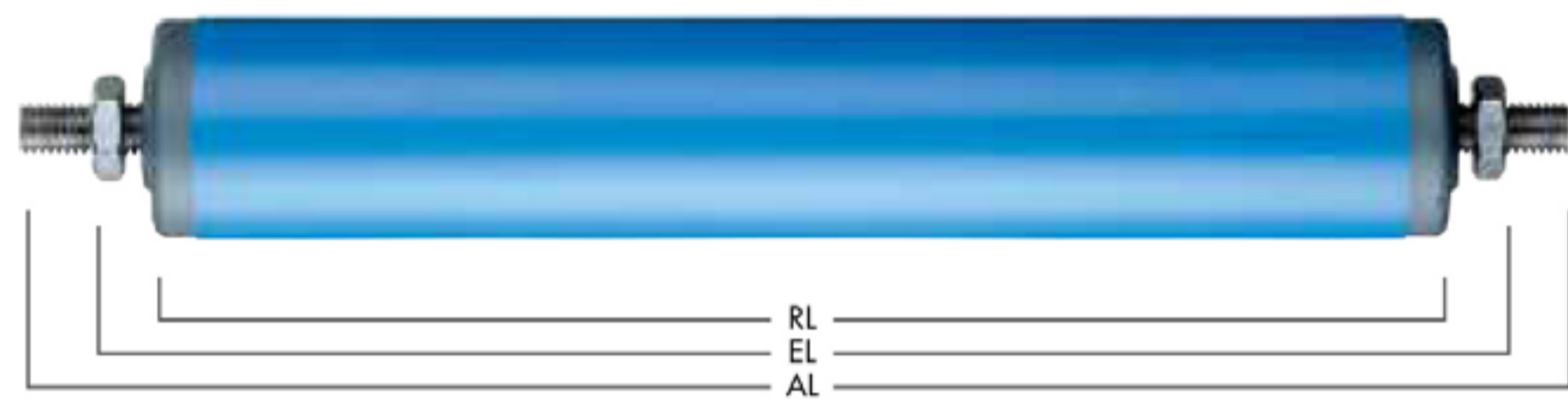
# ROLLERS FOR IMMEDIATE DELIVERY

## Blue plastic cylinder conveyor rollers

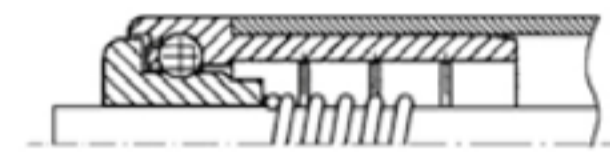
Axle types	
∅	
mm	
10	A10
12	A12
-	-
-	-
-	-
-	-
Stepped axle with external thread	
-	-
-	-
-	-
-	-
-	-
Internal thread	
-	-
-	-
-	-
-	-
-	-
Flat axle end	
-	-
-	-
-	-
-	-
-	-
Spanner flat	
-	-
-	-
-	-
-	-
-	-
Spring axle	
6	F6
8	F8
10	F10
-	-
-	-
-	-



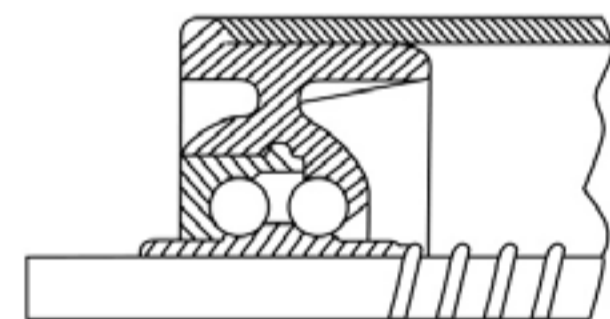
RL = Roller length  
EL = Fitting length  
AL = Axle length



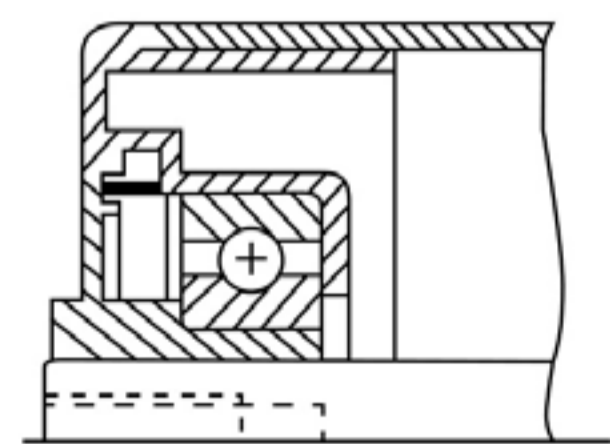
External cylinder ∅	Roller length	Fitting length	Axle length	Axle type	kg	
mm						
<b>Plastic bearing with one row of steel balls</b>						
20x1,5	200	205	221	F 6	10	S20-F6-205-221
20x1,5	300	305	321	F 6	7	S20-F6-305-321
20x1,5	400	405	421	F 6	2	S20-F6-405-421
30x1,8	200	205	225	F 8	10	S30-F8-205-225
30x1,8	300	305	325	F 8	8	S30-F8-305-325
30x1,8	400	405	425	F 8	6	S30-F8-405-425
40x2,3	200	205	225	F 10	10	S40-F10-205-225
40x2,3	300	305	325	F 10	9	S40-F10-305-325
40x2,3	400	405	425	F 10	8	S40-F10-405-425
40x2,3	500	505	525	F 10	7	S40-F10-505-525



External cylinder ∅	Roller length	Fitting length	Axle length	Axle type	kg	
<b>Plastic bearing with two rows of steel balls</b>						
50x2,8	200	207	227	F 10	20	S50-F10-207-227
50x2,8	300	307	327	F 10	20	S50-F10-307-327
50x2,8	400	407	427	F 10	20	S50-F10-407-427
50x2,8	500	507	527	F 10	20	S50-F10-507-527
50x2,8	600	607	627	F 10	20	S50-F10-607-627



External cylinder ∅	Roller length	Fitting length	Axle length	Axle type	kg	
<b>Plastic bearing with grooved ball bearing and heat seal</b>						
50x2,8	200	206	226	F 10	100	S51-F10-206-226
50x2,8	300	306	326	F 10	50	S51-F10-306-326
50x2,8	400	406	426	F 10	30	S51-F10-406-426
50x2,8	500	506	526	F 10	20	S51-F10-506-526
50x2,8	600	606	626	F 10	10	S51-F10-606-626
50x2,8	200	217	247	A 10	100	S51-A10-217-247
50x2,8	300	317	347	A 10	50	S51-A10-317-347
50x2,8	400	417	447	A 10	30	S51-A10-417-447
50x2,8	500	517	547	A 10	20	S51-A10-517-547
50x2,8	600	617	647	A 10	10	S51-A10-617-647
63x3	200	219	249	A 12	140	S63-A12-219-249
63x3	300	319	349	A 12	80	S63-A12-319-349
63x3	400	419	449	A 12	50	S63-A12-419-449
63x3	500	519	549	A 12	30	S63-A12-519-549
63x3	600	619	649	A 12	20	S63-A12-619-649



\* The stated load capacities are meant to be the surface load for assembling into not powered conveyors.

# ROLLERS FOR IMMEDIATE DELIVERY

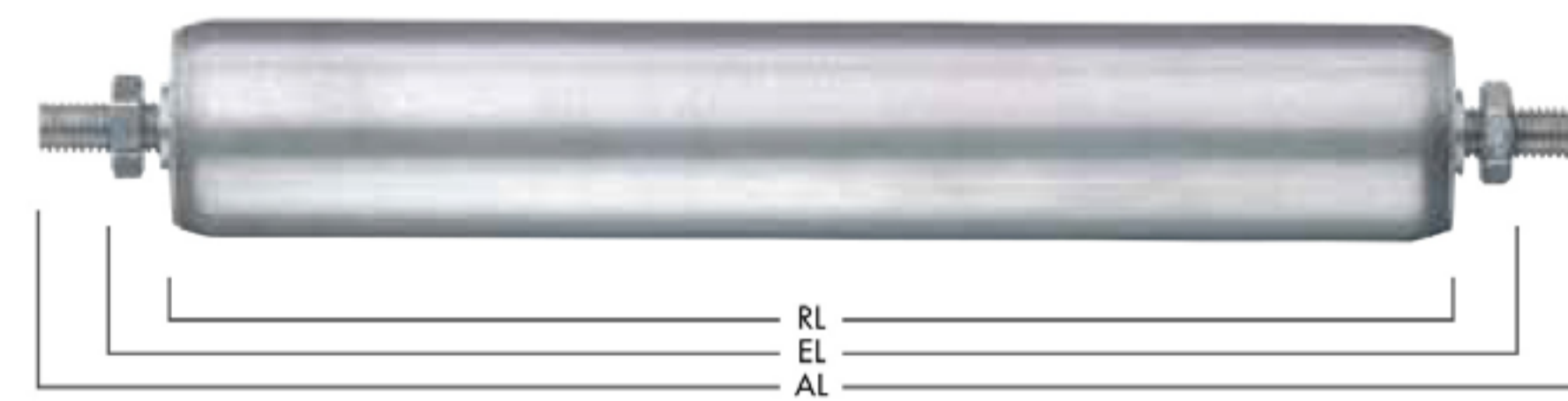
## Blank steel cylinder conveyor rollers



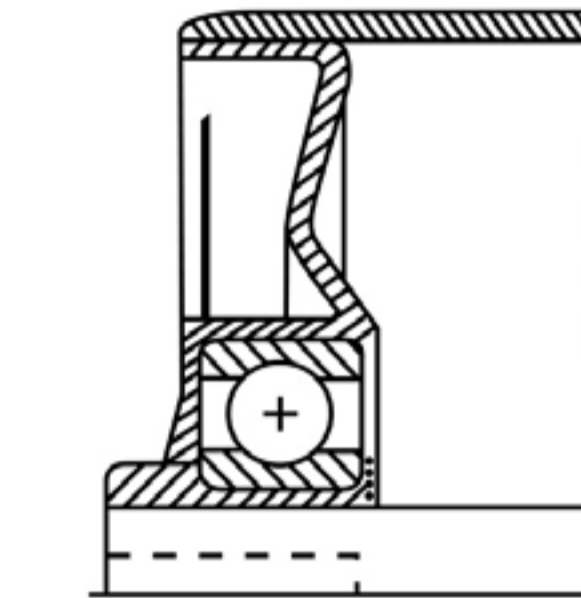
Axle types	
∅	
mm	
10	A10
12	A12
-	-
-	-
-	-
-	-
Stepped axle with external thread	
-	-
-	-
-	-
-	-
-	-
Internal thread	
-	-
-	-
-	-
-	-
-	-
Flat axle end	
-	-
-	-
-	-
-	-
-	-
Spanner flat	
-	-
-	-
-	-
-	-
-	-
Spring axle	
10	F10
-	-
-	-
-	-
-	-



RL = Roller length  
EL = Fitting length  
AL = Axle length



External cylinder ∅	Roller length	Fitting length	Axle length	Axle type	kg	
mm						
<b>Sheet steel bearing liner, galvanised with grooved ball bearing</b>						
50x1,5	200	210	230	F 10	150	S55-F10-210-230
50x1,5	300	310	330	F 10	130	S55-F10-310-330
50x1,5	400	410	430	F 10	80	S55-F10-410-430
50x1,5	500	510	530	F 10	70	S55-F10-510-530
50x1,5	600	610	630	F 10	40	S55-F10-610-630
50x1,5	200	220	250	A 10	240	S55-A10-220-250
50x1,5	300	320	350	A 10	240	S55-A10-320-350
50x1,5	400	420	450	A 10	240	S55-A10-420-450
50x1,5	500	520	550	A 10	200	S55-A10-520-550
50x1,5	600	620	650	A 10	130	S55-A10-620-650
60x1,5	200	222	252	A 12	240	S60-A12-222-252
60x1,5	300	322	352	A 12	240	S60-A12-322-352
60x1,5	400	422	452	A 12	240	S60-A12-422-452
60x1,5	500	522	552	A 12	240	S60-A12-522-552
60x1,5	600	622	652	A 12	240	S60-A12-622-652
80x2	200	222	252	A 12	240	S80-A12-222-252
80x2	300	322	352	A 12	240	S80-A12-322-352
80x2	400	422	452	A 12	240	S80-A12-422-452
80x2	500	522	552	A 12	240	S80-A12-522-552
80x2	600	622	652	A 12	240	S80-A12-622-652



\* The stated load capacities are meant to be the surface load for assembling into not powered conveyors.